

**ZL**



***ZLG Series***

**Vertical Monoblock Inline Pump**



**SHANGHAI ZHILI PUMP MFR CO.,LTD**

## **Application**

Apply as the transportation of liquids in the fields of air condition, heating, sanitary water, water treatment cooling, refrigerating system, liquid circulation, water supply, pressure boosting, sea water delivery and irrigation etc.

## **Working Conditions**

Rotating speed: 3600r/min, 1800r/min, 2960r/min, 1480r/min

Medium: clean water or other liquids similar to clean water in physical and chemical properties

Medium temperature: -10 ~ 80°C, 400°C available under special design

Ambient temperature: Up to 40°C

Range of capacity: 1.8~2000m<sup>3</sup>/h

Range of head: up to 230m

Maximum working pressure: suction pressure+head of pump ≤ 25 bar

## **Pump Construction**

Casing/impeller: cast iron, stainless steel, copper, bronze

Shaft: carbon steel 45#, stainless steel

Mechanical seal: graphite/silicon carbide/tungsten carbide

## **Structure Description**

Compact structure, most application for modern constructions.

1. Pump casing: the spiral casing with pipe connection is designed and manufactured by the most superior hydraulic model nowadays, with inlet and outlet the same diameter. Flanges conform to GB4216.5, and are equipped with Rp1/4 or Rp 3/8 pressure testing plug.

2. Impeller: closed impeller, no limit to rotation direction under the water temperature below 80°C and 120°C.

3. Special design of dynamic seal ring ensure well seal and reliable operation..

## **Advantages**

1. Directly coupled, vibration proof and low noise.

2. Same diameter of inlet and outlet inline, the angle between inlet and outlet can be 270° C · 90° C

3. C&U bearing, which is the most famous brand in China.

4. Circulating flow cooling ensure mechanical seal long life.

5. Small foundation required that will saving construction investment by 50-70%.

6. Excellent seal that is no leakage

## **Motor**

TEFC air-cooled squirrel cage, 3 phase asynchronous motor.

Voltage: 220V, 380V, 400V, 415V, 440V, 660V (other voltage, pls inform before order)

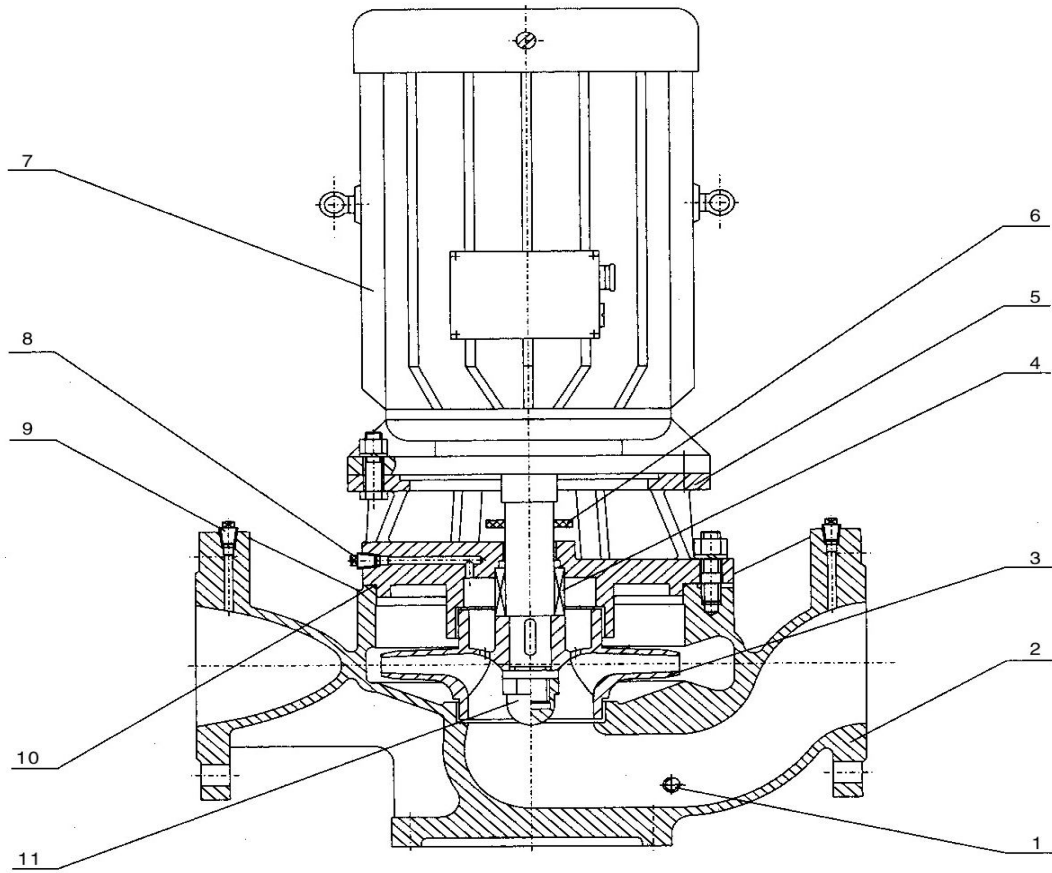
Frequency: 50Hz, 60Hz

Insulation : IP44/IP54/IP55

Protection class: F

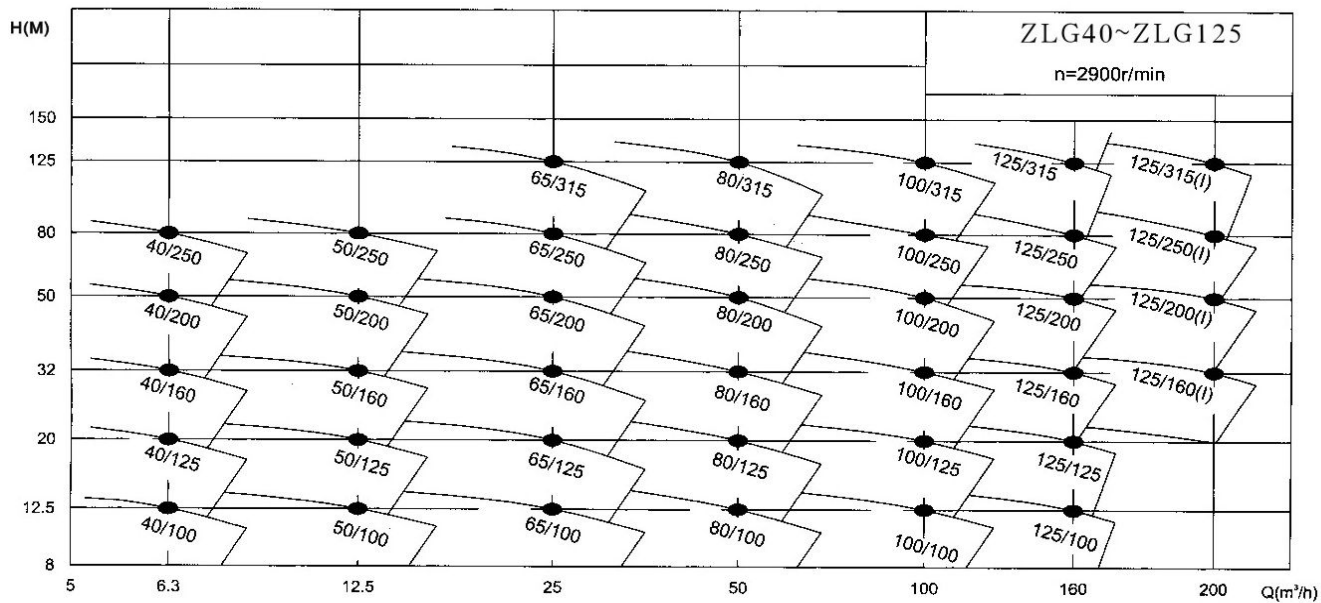
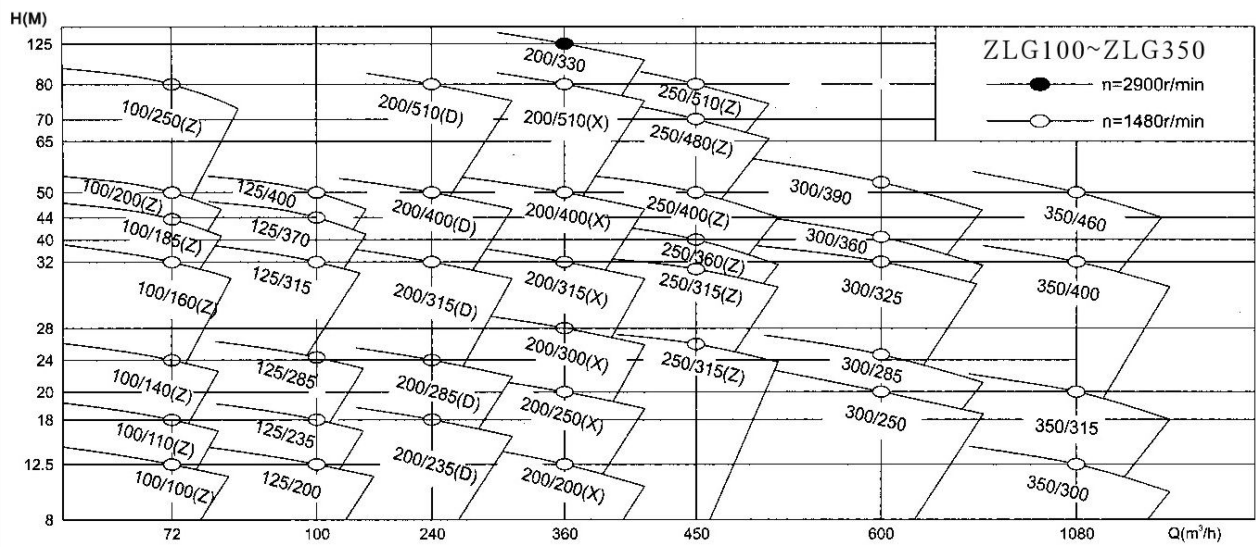
Insulation modes: B5/V1

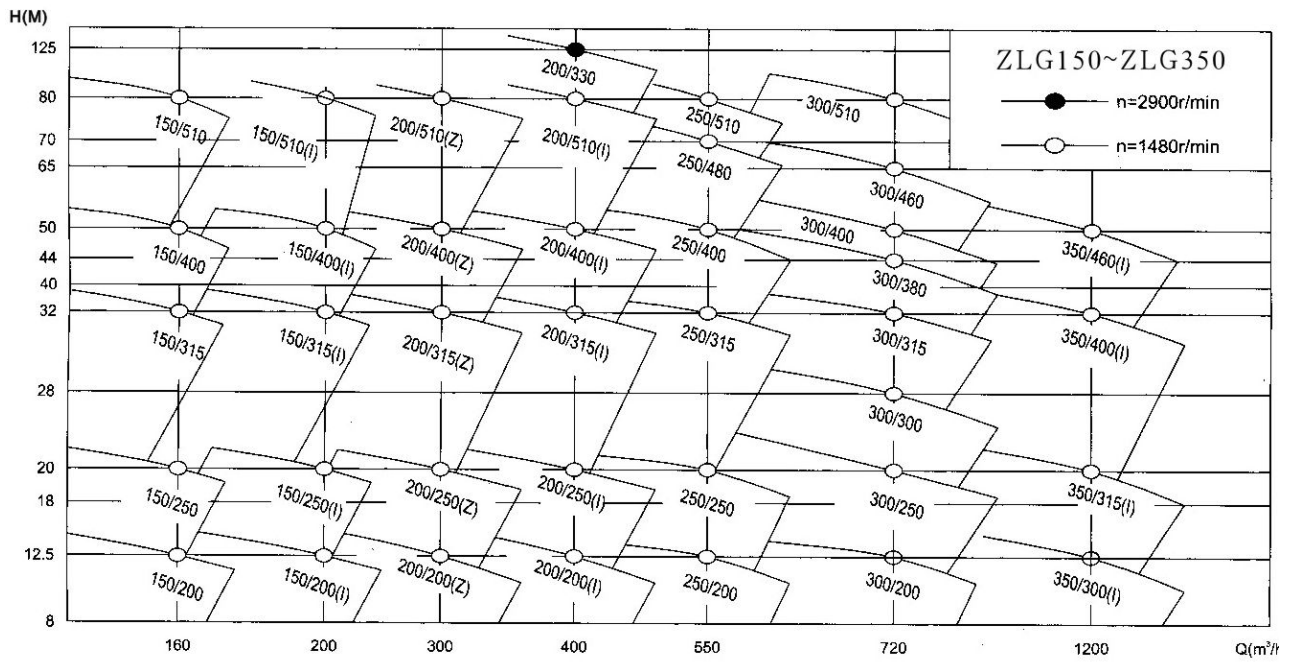
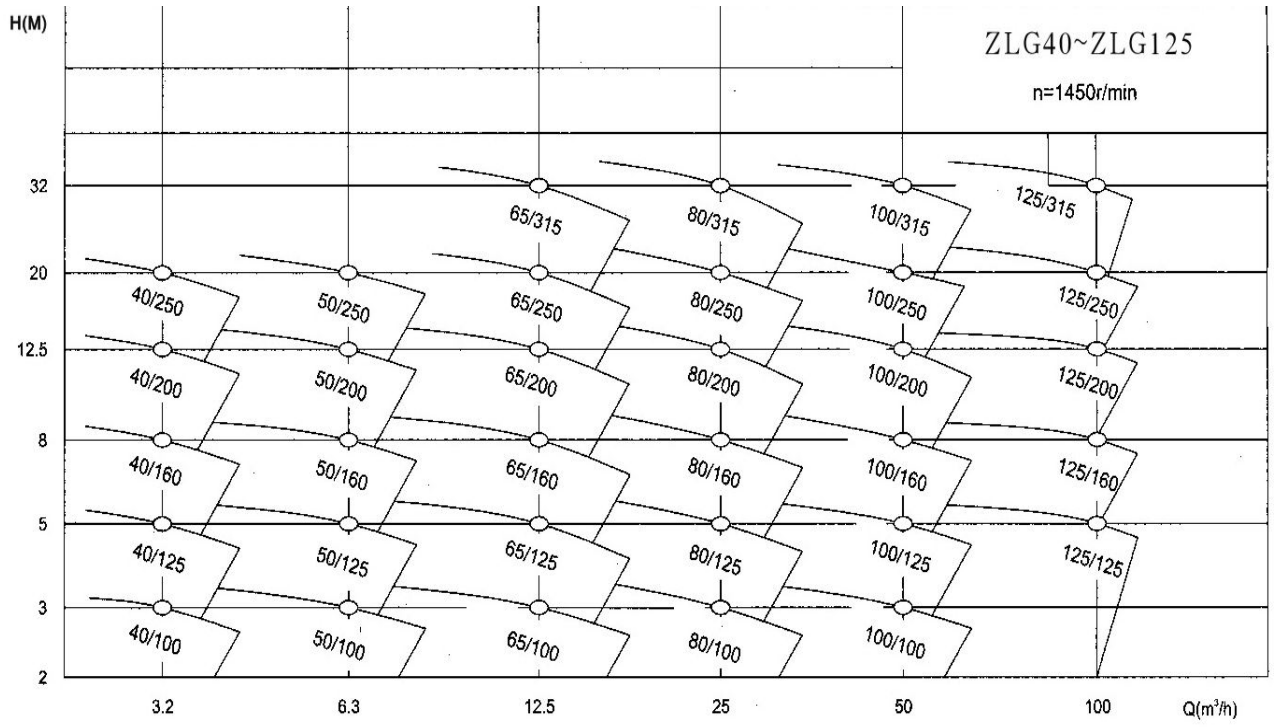
Notice: Special motor can be man made.



NO.	Name	Material	NO.	Name	Material
1	Water drainage plug	FC20	7	Motor	FC20
2	Casing	FC20	8	Air release valve	FC20
3	Impeller	FC20	9	Plug	FC20
4	Mechanical seal	Sic	10	Seal ring	FC20
5	Pump cover	FC20	11	Impeller nut	C45
6	water resistant ring	FC20			







## Performance Parameter Table

Type	Capacity		Head (m)	Efficiency (%)	Speed (r/min)	Motor Power (KW)	NPSH (m)	Weight (kg)
	(m <sup>3</sup> /h)	(L/S)						
15/80-0.18/2	1.1	0.3	8.5	26	2960	0.18	2.3	17
	1.5	0.42	8	34				
	2.0	0.55	7	34				
20/110-0.37/2	1.8	0.5	16	25	2960	0.37	2.3	25
	2.5	0.69	15	24				
	3.3	0.91	13.5	35				
20/125-0.75/2	1.8	0.5	21	30	2960	0.75	2.3	35
	2.5	0.69	20					
	3.3	0.91	18.6					
20/160-1.1/2	1.8	0.5	33	19	2960	1.1	2.3	29
	2.5	0.69	32	25				
	3.3	0.91	30	23				
25/110-0.55/2	2.8	0.78	16	34	2960	0.55	2.3	26
	4	1.11	15	42				
	5.2	1.44	13.5	41				
25/125-0.75/2	2.8	0.78	20.6	28	2960	0.75	2.3	28
	4	1.11	20	36				
	5.2	1.44	18	35				
25/115-0.75/2	2.5	0.69	17	35	2960	0.75	2.3	27
	3.6	1	16					
	1.6	1.28	14.4					
25/160-1.5/2	2.8	0.78	33	24	2960	1.5	2.3	39
	4	1.11	32	32				
	5.2	1.44	30	33				
25/150-1.1/2	2.6	0.72	28.5	22	2960	1.1	2.3	34
	3.7	1.03	28	31				
	4.9	1.36	26	29				
32/100-0.55/2	4.5	1.25	12.5	44	2960	0.55	2.0	27
32/125-0.75/2	3.5	0.97	22	40	2960	0.75	2.3	28
	5	1.39	20	44				
	6.5	1.8	18	42				
32/110-0.55/2	3.1	0.86	17.6	43	2960	0.55	2.3	28
	4.5	1.25	16					
	5.8	1.61	14.4					
32/160-1.5/2	5	1.39	32	44	2960	1.5	2.3	39

32/150-1.1/2	4	1.1	25	34	2960	1.1	2	38
32/160-2.2/2	4.4 6.3 8.3	1.22 1.75 2.32	33.2 32 30.2	34 40 42	2960	2.2	2	47
32/200-3/2	4.5	1.25	50	32	2960	3	2	55
32/185-3/2	2.8 4 5.2	0.78 1.11 1.44	44.6 44 42.7	34 40 42	2960	3	2	74
32/200-4/2	4.4 6.3 8.3	1.22 1.75 2.32	50.5 50 48	26 33 35	2960	4	2	43
40/90-0.37/2	3.9 5.6 7.4	1.08 1.56 2.06	10.6 10 9	46 52 51	2960	0.37	2.3	31
40/100-0.55/2	4.4 6.3 8.3	1.22 1.75 2.31	13.2 12.5 11.3	48 54 53	2960	0.55	2.3	32
40/110-0.75/2	3.9 5.6 7.4	1.08 1.56 2.06	17.6 16 14.4	40 45 41	2960	0.75	2.3	32
40/125-1.1/2	4.4 6.3 8.3	1.22 1.75 2.31	21 20 18	41 46 43	2960	1.1	2.3	33
40/140-1.1/2	3.8 5.5 7.2	1.06 1.53 2	25.5 24 22.5	34 38 37	2960	1.1	2.3	39
40/150-1.5/2	4.1 5.9 7.8	1.14 1.64 2.17	29 28 26.3	34 39 39	2960	1.5	2.3	45
40/160-2.2/2	4.4 6.3 8.3	1.22 1.75 2.31	33 32 30	35 40 42	2960	2.2	2.3	48
40/170-2.2/2	3.7 5.3 7	1.03 1.47 1.94	38 36 34.5	24 29 28	2960	2.2	2.3	52
40/185-3/2	4.1 5.9 7.8	1.14 1.64 2.17	45 44 42	26 31 30	2960	3	2.3	62
40/200-4/2	4.4	1.22	51	26	2960	4	2.3	75



	6.3 8.3	1.75 2.31	50 48	33 32				
40/220-4/2	3.8 5.5 7.2	1.06 1.53 2	61.5 60 56	23 27 26	2960	4	2.3	77
40/235-5.5/2	4.1 5.9 7.8	1.14 1.64 2.17	72 70 65	24 28 27	2960	5.5	2.3	100
40/250-7.5/2	4.4 6.3 8.3	1.22 1.75 2.31	24 28 28	24 28 28	2960	7.5	2.3	106
40/90-0.75/2	8 11 14.5	2.22 3.06 4.03	11 10 9	53 60 58	2960	0.75	2.3	35
40/100-1.1/2	8.8 12.5 16.3	2.44 3.47 4.53	13.6 12.5 11.3	55 62 60	2960	1.1	2.3	37
40/110-1.1/2	8 11 14.5	2.22 3.06 4.03	17 16 14	48 57 56	2960	1.1	2.3	40
40/125-1.5/2	8.8 12.5 16.3	2.44 3.47 4.53	21.5 20 17.8	49 58 57	2960	1.5	2.3	45
40/140-1.5/2	7.3 10.4 13.5	2.03 2.89 3.75	23 22 20.5	43 50 50	2960	1.5	2.3	46
40/150-2.2/2	8.2 11.7 15.2	2.28 3.25 4.22	29 28 26	44 51 50	2960	22	2.3	50
40/160-3/2	8.8 12.5 16.3	2.44 3.47 4.53	33 32 30	45 52 51	2960	3	2.3	57
40/170-3/2	7.5 10.6 13.8	2.08 2.94 3.83	40 38 35	36 44 44	2960	3	2.3	69
40/185-4/2	8.3 11.7 15.3	2.31 3.25 4.25	45.8 44 42	37 45 45	2960	4	2.3	81
40/200-5.5/2	8.8 12.5 16.3	2.44 3.47 4.53	52 50 48	38 46 46	2960	5.5	2.3	102
40/220-7.5/2	7.6 10.8	2.11 3	61.5 60	27.5 37	2960	7.5	2.3	114

	14	3.89	58	40				
40/235-7.5/2	8.2	2.28	71.5	29	2960	7.5	2.3	115
	11.6	3.22	70	38				
	15.2	4.22	68	41				
40/125-11/2	8.8	2.44	82	29	2960	11	2.3	160
	12.5	3.47	80	38				
	16.3	4.53	77.5	42				
50/90-0.75/2	8	2.22	11	53	2960	0.75	2.3	35
	11	3.06	10	60				
	14.5	4.03	9	58				
50/100-1.1/2	8.8	2.44	13.6	55	2960	1.1	2.3	37
	12.5	3.47	12.5	62				
	16.3	4.53	11.3	60				
50/110-1.1/2	8	2.22	17	48	2960	1.1	2.3	40
	11	3.06	16	57				
	14.5	4.03	14	56				
50/125-1.5/2	8.8	2.44	21.5	49	2960	1.5	2.3	45
	12.5	3.47	20	58				
	16.3	4.53	17.8	57				
50/140-1.5/2	7.3	2.03	23	43	2960	1.5	2.3	46
	10.4	2.89	22	50				
	13.5	3.75	20.5	50				
50/150-2.2/2	8.2	2.28	29	44	2960	2.2	2.3	50
	11.7	3.25	28	51				
	15.2	4.22	26	50				
50/160-3/2	8.8	2.44	33	45	2960	3	2.3	57
	12.5	3.47	32	52				
	16.3	4.53	30	51				
50/170-3/2	7.5	2.08	40	36	2960	3	2.3	69
	10.6	2.94	38	44				
	13.8	3.83	35	44				
50/185-4/2	8.3	2.31	45.8	37	2960	4	2.3	81
	11.7	3.25	44	45				
	15.3	4.25	42	45				
50/200-5.5/2	8.8	2.44	52	38	2960	5.5	2.3	102
	12.5	3.47	50	46				
	16.3	4.53	48	46				
50/220-7.5/2	7.6	2.11	61.5	27.5	2960	7.5	2.3	114
	10.8	3	60	37				
	14	3.89	58	40				
50/235-7.5/2	8.2	2.28	71.5	29	2960	7.5	2.3	115
	11.6	3.22	70	38				
	15.2	4.22	68	41				

50/250-11/2	8.8 12.5 16.3	2.44 3.47 4.53	82 80 77.5	29 38 42	2960	11	2.3	160
50/90-1.1/2	15.6 22.3 29	4.33 6.19 8.06	11 10 8.4	65 67 68	2960	1.1	2.5	40
50/100-1.5/2	17.5 25 32.5	4.86 6.94 9.03	13.7 12.5 10.5	67 69 69	2960	1.5	2.5	45
50/100-2.2/2	15.6 22.3 29	4.33 6.19 8.06	17.5 16 14.4	58 66 65	2960	2.2	2.5	50
50/125-3/2	17.5 25 32.5	4.86 6.94 9.03	22 20 18	60 68 67	2960	3	2.5	60
50/140-3/2	15 21.6 28	4.17 6 7.78	26 24 21	51 61 61	2960	3	2.5	63
50/150-4/2	16.4 23.4 30.4	4.56 6.5 8.44	30 28 24.5	54 62 59	2960	4	2.5	75
50/160-4/2	17.5 25 32.5	4.86 6.94 9.03	34.4 32 27	54 63 60	2960	4	2.5	75
50/170-5.5/2	15.2 21.8 28.3	4.22 6.06 7.86	40.5 38 34	48 58 59	2960	5.5	2.5	100
50/185-5.5/2	16.4 23.5 30.5	4.56 6.53 8.47	46.4 44 40	50 60 60	2960	5.5	2.5	107
50/200-7.5/2	17.5 25 32.5	4.86 6.94 9.03	52.7 50 45.5	50 62 61	2960	7.5	2.5	107
50/220-11/2	15 21.6 28	4.17 6 7.78	61 60 58	38 50 54	2960	11	2.5	170
50/235-11/2	16.4 23.4 30.5	4.56 6.5 8.47	71.5 70 67	39 50 52	2960	11	2.5	170
50/250-15/2	17.5 25 32.5	4.86 6.94 9.03	82 80 76.5	39 50 52	2960	15	2.5	182

65/90-1.1/2	15.6 22.3 29	4.33 6.19 8.06	11 10 8.4	65 67 68	2960	1.1	2.5	40
65/100-1.5/2	17.5 25 32.5	4.86 6.94 9.03	13.7 12.5 10.5	67 69 69	2960	1.5	2.5	45
65/110-2.2/2	15.6 22.3 29	4.33 6.19 8.06	17.5 16 14.4	58 66 65	2960	2.2	2.5	50
65/125-3/2	17.5 25 32.5	4.86 6.94 9.03	22 20 18	60 68 67	2960	3	2.5	60
65/140-3/2	15 21.6 28	4.17 6 7.78	26 24 21	51 61 61	2960	3	2.5	63
65/150-4/2	16.4 23.4 30.4	4.56 6.5 8.44	30 28 24.5	54 62 59	2960	4	2.5	75
65/160-4/2	17.5 25 32.5	4.86 6.94 9.03	34.4 32 27	54 63 60	2960	4	2.5	75
65/170-5.5/2	15.2 21.8 28.3	4.22 6.06 7.86	40.5 38 34	48 58 59	2960	5.5	2.5	100
65/185-5.5/2	16.4 23.5 30.5	4.56 6.53 8.47	46.4 44 40	50 60 60	2960	5.5	2.5	107
65/200-7.5/2	17.5 25 32.5	4.86 6.94 9.03	52.7 50 45.5	50 62 61	2960	7.5	2.5	107
65/220-11/2	15 21.6 28	4.17 6 7.78	61 60 58	38 50 54	2960	11	2.5	170
65/235-11/2	16.4 23.4 30.5	4.56 6.5 8.47	71.5 70 67	39 50 52	2960	11	2.5	170
65/250-15/2	17.5 25 32.5	4.86 6.94 9.03	82 80 76.5	39 50 52	2960	15	2.5	182
65/270-15/2	14.4 20.6 26.8	4 5.72 7.44	86 85 83	30 38 42	2960	15	2.5	210
65/285-18.5/2	15.7	4.36	103	31	2960	18.5	2.5	225

	22.5 29.2	6.25 8.11	101 98	39 43				
65/300-22/2	16.6 23.7 31	4.61 6.58 8.61	115 113 110	32 40 44	2960	22	2.5	260
65/315-30/2	17.5 25 32.5	4.86 6.94 9.03	127 125 122	32 40 44	2960	30	2.5	320
65/90-2.2/2	31.3 44.7 58	8.69 12.42 16.11	11 10 8	66 72 69	2960	2.2	3	55
65/100-3/2	35 50 65	9.72 13.89 18.06	13.8 12.5 10	67 73 70	2960	3	3	63
65/110-4/2	31.3 45 58	8.69 12.5 16.11	17.5 16 13.6	66 71 69	2960	4	3	80
65/125-5.5/2	35 50 65	9.72 13.89 18.06	22 20 17	67 72.5 70	2960	5.5	3	100
65/140-5.5/2	30 43.3 56.3	8.33 12.03 15.64	27 24 20	61 69 68	2960	5.5	3	98
65/150-7.5/2	32.7 46.7 61	9.08 12.97 16.94	30.6 28 25	62 70 69	2960	7.5	3	105
65/160-7.5/2	35 50 65	9.72 13.89 18.06	35 32 28	63 71 70	2960	7.5	3	105
65/170-7.5/2	30.5 43.5 56.5	8.47 12.08 15.69	40.6 38 33.4	53 65 67	2960	7.5	3	118
65/185-11/2	32.8 47 61	9.11 13.06 16.94	47 44 40	54 66 67	2960	11	3	166
65/200-15/2	35 50 65	9.72 13.89 18.06	53.3 50 46	55 67 68	2960	15	3	175
65/220-15/2	30 50 65	8.33 12.03 15.56	63 60 54	51 58 59	2960	15	3	185
65/235-18.5/2	32.5 46.7	9.03 12.97	73 70	52 59	2960	18.5	3	210

	61	16.94	64	60				
65/250-22/2	35	9.72	83	52	2960	22	3	240
	50	12.89	80	60				
	65	18.06	72	62				
65/270-22/2	29	8.06	98	40	2960	22	3	275
	41	11.39	85	51				
	53.6	14.89	83	54				
65/285-30/2	31	8.61	103	42	2960	30	3	340
	44.5	12.36	101	53				
	58	16.11	97	56				
65/300-30/2	32.5	9.03	116	42	2960	30	3	340
	46.5	12.92	113	53				
	60.5	16.81	110	56				
65/315-37/2	35	9.72	128	43	2960	37	3	355
	50	12.89	125	54				
	65	18.06	122	57				
80/90-2.2/2	31.3	8.69	11	66	2960	2.2	3	55
	44.7	12.42	10	72				
	58	16.11	8	69				
80/100-3/2	35	9.72	13.8	67	2960	3	3	63
	50	13.89	12.5	73				
	65	18.06	10	70				
80/110-4/2	31.3	8.69	17.5	66	2960	4	3	80
	45	12.5	16	71				
	58	16.11	13.6	69				
80/125-5.5/2	35	9.72	22	67	2960	5.5	3	100
	50	13.89	20	72.5				
	65	18.06	17	70				
80/140-5.5/2	30	8.33	27	61	2960	5.5	3	98
	43.3	12.03	24	69				
	56.3	15.64	20	68				
80/150-7.5/2	32.7	9.08	30.6	62	2960	7.5	3	105
	46.7	12.97	28	70				
	61	16.94	25	69				
80/160-7.5/2	35	9.72	35	63	2960	7.5	3	105
	50	13.89	32	71				
	65	18.06	28	70				
80/170-7.5/2	30.5	8.47	40.6	53	2960	7.5	3	118
	43.5	12.08	38	65				
	56.5	15.69	33.4	67				
80/185-11/2	32.8	9.11	47	54	2960	11	3	166
	47	13.06	44	66				
	61	16.94	40	67				

80/200-15/2	35 50 65	9.72 13.89 18.06	53.3 50 46	55 67 68	2960	15	3	175
80/220-15/2	30 50 65	8.33 12.03 15.56	63 60 54	51 58 59	2960	15	3	185
80/235-18.5/2	32.5 46.7 61	9.03 12.97 16.94	73 70 64	52 59 60	2960	18.5	3	210
80/250-22/2	35 50 65	9.72 13.89 18.06	83 80 72	52 60 62	2960	22	3	240
80/270-22/2	29 41 53.6	8.06 11.39 14.89	98 85 83	40 51 54	2960	22	3	275
80/285-30/2	31 44.5 58	8.61 12.36 16.11	103 101 97	42 53 56	2960	30	3	340
80/300-30/2	32.5 46.5 60.5	9.03 12.92 16.81	116 113 110	42 53 56	2960	30	3	340
80/315-37/2	35 50 65	9.72 12.89 18.06	128 125 122	43 54 57	2960	37	3	355
80/90-4/2	62.6 89 116	17.39 24.72 32.22	11 10 8.8	64 74 74	2960	4	4.5	90
80/100-5.5/2	70 100 130	19.44 27.78 36.11	13.6 12.5 11	66 76 75	2960	5.5	4.5	113
80/100-7.5/2	63.6 89 116	17.67 24.72 32.22	19 16 11	68 74 63	2960	7.5	4.5	118
80/125-11/2	70 100 130	19.44 27.78 36.11	23.5 20 14	70 76 65	2960	11	4.5	170
80/140-11/2	60.6 86.6 112.5	16.83 24.06 31.25	27 24 18	66 72 65	2960	11	4.5	160
80/150-11/2	65.4 93.5 121.6	18.17 25.97 33.78	32 28 21	68 74 67	2960	11	4.5	180
80/160-15/2	70	19.44	36.5	70	2960	15	4.5	190

	100 130	27.78 36.11	32 24	76 65				
80/170-15/2	61 87 113	16.9 24.2 31.4	41 38 34	63 72 71	2960	15	4	195
80/185-18.5/2	65.4 93.5 121.6	18.2 26 33.8	47.5 44 39	64 73 72	2960	18.5	4	210
80/200-22/2	70 100 130	19.4 27.8 36.1	54 50 42	65 74 73	2960	22	4	245
80/220-30/2	61 87 113	16.9 24.2 31.4	65 60 51	60 67 66	2960	30	4	330
80/235-30/2	65.4 93.5 121.6	18.2 26 33.8	76 70 59.5	61 68 67	2960	30	4	330
80/250-37/2	70 100 130	19.4 27.8 36.1	87 80 68	62 69 68	2960	37	4	345
80/270-37/2	58 82 107	16.1 22.8 29.7	90 85 76	52 63 64	2960	37	4	385
80/285-45/2	63 90 117	17.5 25 32.5	106.6 101 92	54 65 66	2960	45	4	440
80/300-55/2	65.5 95 123.6	18.5 26.4 34.3	119 113 104	55 66 67	2960	55	4	550
80/315-75/2	70 100 130	19.4 27.8 36.1	132 125 114	55 66 67	2960	75	4	685

100/90-4/2	62.6 89 116	17.39 24.72 32.22	11 10 8.8	64 74 74	2960	4	4.5	90
100/100-5.5/2	70 100 130	19.44 27.78 36.11	13.6 12.5 11	66 76 75	2960	5.5	4.5	113
100/100-7.5/2	63.6 89 116	17.67 24.72 32.22	19 16 11	68 74 63	2960	7.5	4.5	118
100/125-11/2	70	19.44	23.5	70	2960	11	4.5	170



	100 130	27.78 36.11	20 14	76 65				
100/140-11/2	60.6 86.6 112.5	16.83 24.06 31.25	27 24 18	66 72 65	2960	11	4.5	160
100/150-11/2	65.4 93.5 121.6	18.17 25.97 33.78	32 28 21	68 74 67	2960	11	4.5	180
100/160-15/2	70 100 130	19.44 27.78 36.11	36.5 32 24	70 76 65	2960	15	4.5	190
100/170-15/2	61 87 113	16.9 24.2 31.4	41 38 34	63 72 71	2960	15	4	195
100/185-18.5/2	65.4 93.5 121.6	18.2 26 33.8	47.5 44 39	64 73 72	2960	18.5	4	210
100/20-22/2	70 100 130	19.4 27.8 36.1	54 50 42	65 74 73	2960	22	4	245
100/220-30/2	61 87 113	16.9 24.2 31.4	65 60 51	60 67 66	2960	30	4	330
100/235-30/2	65.4 93.5 121.6	18.2 26 33.8	76 70 59.5	61 68 67	2960	30	4	330
100/250-37/2	70 100 130	19.4 27.8 36.1	87 80 68	62 69 68	2960	37	4	345
100/270-37/2	58 82 107	16.1 22.8 29.7	90 85 76	52 63 64	2960	37	4	385
100/285-45/2	63 90 117	17.5 25 32.5	106.6 101 92	54 65 66	2960	45	4	440
100/300-55/2	65.5 95 123.6	18.5 26.4 34.3	119 113 104	55 66 67	2960	55	4	550
100/315-75/2	70 100 130	19.4 27.8 36.1	132 125 114	55 66 67	2960	75	4	685
125/90-7.5/2	86 143	23.9 39.7	10.4 10	73 77	2960	7.5	4	126

	172	47.8	9.6	79				
125/100-11/2	96	26.7	13	78	2960	11	4	180
	160	44.4	12.5	82				
	192	53.3	12	84				
125/110-11/2	86	23.9	18	73	2960	11	4	210
	143	39.7	16	77				
	172	47.8	13.6	79				
125/125-15/2	96	26.7	22.6	76	2960	15	4	225
	160	44.4	20	80				
	192	53.3	17	82				
125/140-15/2	83	23.1	27	70	2960	15	4	210
	138	38.3	24	73				
	166	46.1	21	75				
125/150-18.5/2	90	25	31.5	71	2960	18.5	4	230
	150	41.7	28	76				
	180	50	24.5	78				
125/160-22/2	96	26.7	36	72	2960	22	4	265
	160	44.4	32	78				
	192	53.3	28	79				
125/170-22/2	83	23.1	41.3	70	2960	22	5	325
	138	38.3	37.5	75				
	166	46.1	34.5	77				
125/185-30/2	90	25	48.4	71	2960	30	5	375
	150	41.7	44	76				
	180	50	40.5	78				
125/200-37/2	96	26.7	55	72	2960	37	5	395
	160	44.4	50	77				
	192	53.3	46	78				
125/220-37/2	83	23.1	65	69	2960	37	4.5	430
	138	38.3	60	73				
	166	46.1	55	75				
125/235-45/2	90	25	76	70	2960	45	4.5	495
	150	41.7	70	74				
	180	50	64	76				
125/250-55/2	96	26.7	87	71	2960	55	4.5	580
	160	44.4	80	75				
	192	53.3	73	77				
125/270-55/2	80.5	22.4	96	64	2960	55	4.5	590
	134	37.2	88	68				
	161	44.7	86	65				
125/285-75/2	86	23.9	106.4	65	2960	75	4.5	710
	143	39.7	100	69				
	172	47.8	95.2	66				

125/300-75/2	90 150 180	25 41.7 50	117 110 104.6	65 70 67	2960	75	4.5	715
125/315-90/2	96 160 192	26.7 44.4 53.3	133 125 119	69 72 68	2960	90	4.5	800
150/200-15/4	140 200 260	38.89 55.56 72.22	13.8 12.5 10.6	68 78 78	1480	15	3	265
150/220-11/4	117 167 217.5	32.5 46.39 60.42	15.2 14 12	71 76 74	1480	11	3	241
150/235-15/4	129 184 240	35.83 51.11 66.67	18.5 17 14.4	72 78 76	1480	15	3	265
150/250-18.5/4	140 200 260	38.89 55.56 72.22	21.8 20 17	73 79 77	1480	18.5	3	300
150/285-18.5/4	121 173 225	33.61 48.06 62.5	25 24 21	69 76 77	1480	18.5	3.5	310
150/300-22/4	131 187 243	36.39 51.94 67.5	29.5 28 24.5	69 77 78	1480	22	3.5	335
150/315-30/4	140 200 260	38.89 55.56 72.22	33.8 32 28	70 78 73	1480	30	3.5	410
150/370-37/4	131 187 243	36.39 51.94 67.5	46.6 44 38.3	67 74 70	1480	37	3.5	452
150/400-45/4	140 200 260	38.89 55.56 72.22	53 50 44	68 75 71	1480	45	3.5	490
150/220-45/2	104 173 208	28.89 48.06 57.78	65 60 54	63 74 72	2960	45	4.2	465
150/235-55/2	112 187 224	31.11 51.94 62.22	76 70 63	64 75 75	2960	55	4.2	560
150/250-75/2	120 200 240	33.33 55.56 66.67	87 80 72	65 76 74	2960	75	4.2	702
150/285-75/2	104	28.89	100	55	2960	75	4.2	725

	173 208	48.06 57.78	95 91	70 72				
150/300-90/2	112 187 224	31.11 51.94 62.22	116 110 105	57 72 74	2960	90	4.2	805
150/315-110/2	120 200 240	33.33 55.56 66.67	133 125 120	58 73 75	2960	110	4.2	980

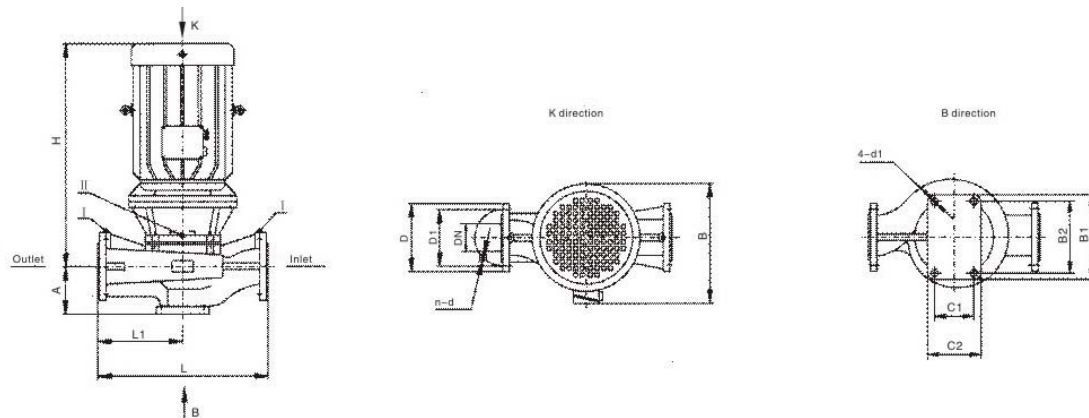
200/185-11/4	125 179 233	34.72 49.72 64.72	11 10 8.5	66 76 76	1480	11	3	245
200/200-15/4	140 200 260	38.89 55.56 72.22	13.8 12.5 10.6	68 78 78	1480	15	3	265
200/220-11/4	117 167 217.5	32.5 46.39 60.42	15.2 14 12	71 76 74	1480	11	3	241
200/235-15/4	129 184 240	35.83 51.11 66.67	18.5 17 14.4	72 78 76	1480	15	3	265
200/250-18.5/4	140 200 260	38.89 55.56 72.22	21.8 20 17	73 79 77	1480	18.5	3	300
200/285-18.5/4	121 173 225	33.61 48.06 62.5	25 24 21	69 76 77	1480	18.5	3.5	310
200/300-22/4	131 187 243	36.39 51.94 67.5	29.5 28 24.5	69 77 78	1480	22	3.5	335
200/315-30/4	140 200 260	38.89 55.56 72.22	33.8 32 28	70 78 73	1480	30	3.5	410
200/320-22/4	112 160 208	31.11 44.44 57.78	34 32 28	64 71 67	1480	22	3.5	370
200/345-30/4	122 174 226.5	33.89 48.33 62.93	40.5 38 33	66 73 69	1480	30	3.5	435
200/370-37/4	131 187 243	36.39 51.94 67.5	46.6 44 38.3	67 74 70	1480	37	3.5	452
200/400-45/4	140	38.89	53	68	1480	45	3.5	490

	200 260	55.56 72.22	50 44	75 71				
200/185-18.5/4	250 358 465	69.44 99.44 129.17	10.7 10 8.5	68 78 77	1480	18.5	4	366
200/200-22/4	280 400 520	77.78 111.11 144.44	13.4 12.5 10.5	70 80 79	1480	22	4	385
200/220-18.5/4	226 322 419	62.78 89.44 116.39	15.5 14 10	70 75 73	1480	18.5	4	390
200/235-22/4	250 358 465	69.44 99.44 129.17	19 17 13	73 78 70	1480	22	4	421
200/250-30/4	280 400 520	77.78 111.11 144.44	22.2 20 14	75 80 72	1480	30	4	476
200/285-37/4	242 346 450	67.22 96.11 125	27.5 24 18.5	71 78 73	1480	37	4	532
200/300-45/4	262 374 486	72.78 103.89 135	31.5 28 23	72 79 74	1480	45	4	560
200/315-55/4	280 400 520	77.78 111.11 144.44	36 32 26	73 80 75	1480	55	4	680
200/320-45/4	224 320 416	62.22 88.89 115.56	34.9 32 25	71 78 73	1480	45	4	585
200/345-55/4	242 346 450	67.22 96.11 125	42 38 29.6	72 79 74	1480	55	4	692
200/370-75/4	262 374 486	72.78 103.89 135	48 44 35	73 80 75	1480	75	4	835
200/400-75/4	280 400 520	77.78 111.11 144.44	54.5 50 39	75 81 77	1480	75	4	835
200/410-75/4	224 320 416	62.22 88.89 115.56	62 56 48	70 76 74	1480	75	4	1050
200/440-90/4	242 346	67.22 96.11	65 60	71 78	1480	90	4	1292

	450	125	54	75				
200/475-110/4	262	72.78	76	72	1480	110	4	1415
	374	103.89	70	79				
	486	135	63	76				
200/510-132/4	280	77.78	87	73	1480	132	4	1565
	400	111.11	80	80				
	520	144.44	71	77				
250/235-37/4	365	101.4	19	76	1480	37	5	550
	500	138.9	17	80				
	600	166.7	14	80				
250/250-45/4	400	111.1	22.2	78	1480	45	5	600
	550	152.8	20	82				
	670	186.1	15	81				
250/285-45/4	325	90.3	25	74	1480	45	5	685
	450	125	24	78				
	530	147.2	20	79				
250/300-55/4	365	101.4	31.5	76	1480	55	5	830
	500	138.9	28	80				
	600	166.7	23	82				
250/315-75/4	400	111.1	36	77	1480	75	5	905
	550	152.8	32	82				
	670	186.1	26	84				
250/345-75/4	325	90.3	41.2	73	1480	75	5	905
	450	125	38	76				
	530	147.2	34.2	78				
250/370-90/4	365	101.4	47	74	1480	90	5	1050
	500	138.9	44	77				
	600	166.7	35	79				
250/400-110/4	400	111.1	54.5	75	1480	110	5	1550
	550	152.8	50	78				
	670	186.1	39	80				
250/435-132/4	365	101.4	65	74	1480	132	5	1350
	500	138.9	60	75				
	600	166.7	54	77				
250/480-160/4	400	111.1	76	75	1480	160	5	1540
	550	152.8	70	76				
	670	186.1	63	78				
250/510-200/4	400	111.1	84	73	1480	200	5	1750
	550	152.8	80	77				
	670	186.1	70	75				
300/215-45/4	460	127.8	20.2	78	1480	45	5	785
	657	182.5	17.5	81				
	791	219.7	14.2	82				

300/250-55/4	500	138.9	23	80	1480	55	5	900
	720	200	20	83				
	900	250	16	84				
300/310-75/4	389	108.1	35.5	69	1480	75	5.5	1250
	561	155.8	33	74				
	670	186.1	27.5	72				
300/345-90/4	423	117.5	41	72	1480	90	5.5	1400
	609	169.2	38	77				
	728	202.2	32	75				
300/370-110/4	460	127.8	47	74	1480	110	5.5	1520
	662	183.9	44	79				
	791	219.7	36.5	77				
300/400-132/4	500	138.9	54.5	75	1480	132	5.5	1725
	720	200	50	80				
	900	250	42	78				

## Dimension



Type	Outline dimensions					Installing dimensions			Caliber dimensions			Vibration isolator Specifications
	L	L1	B	H	C1*B1	A	C2*B2	4-d1	D	D1	n-d	
15/80-0.18/2	180	130	160	340	75*100	40	45*70	4-Φ12	G1/2"			SD1-41-0.5
20/110-0.37/2	260	130	230	315	80*110	65	50*80	4-Φ12	G3/4"			SD1-41-0.5
20/125-0.75/2	260	130	230	365	80*110	65	50*80	4-Φ12	G3/4"			SD1-41-0.5
20/160-1.1/2	300	150	230	350	80*110	65	50*80	4-Φ12	G3/4"			SD1-41-0.5
25/110-0.55/2	260	130	230	315	80*110	65	50*80	4-Φ12	Φ115	Φ85	4-Φ14	SD1-41-0.5
25/125-0.75/2	260	130	230	350	80*110	65	50*80	4-Φ12	Φ115	Φ85	4-Φ14	SD1-41-0.5
25/115-0.75/2	260	130	230	315	80*110	65	50*80	4-Φ12	Φ115	Φ85	4-Φ14	SD1-41-0.5
25/160-1.5/2	300	150	270	370	90*130	65	60*100	4-Φ12	Φ115	Φ85	4-Φ14	SD1-41-0.5

25/150-1.1/2	300	150	270	355	90*130	65	60*100	4-Φ12	Φ115	Φ85	4-Φ14	SD1-41-0.5
32/100-0.55/2	260	130	230	445	100*150	75	60*100	4-Φ12	Φ140	Φ100	4-Φ18	SD1-41-0.5
32/125-0.75/2	260	130	230	435	90*130	75	60*100	4-Φ12	Φ140	Φ100	4-Φ18	SD1-41-0.5
32/110-0.55/2	260	130	230	435	90*130	75	60*100	4-Φ12	Φ140	Φ100	4-Φ18	SD1-41-0.5
32/160-1.5/2	320	160	270	505	100*150	80	70*120	4-Φ14	Φ140	Φ100	4-Φ18	SD1-61-0.5
32/150-1.1/2	320	160	270	415	90*130	75	60*100	4-Φ14	Φ150	Φ110	4-Φ18	SD1-61-0.5
32/160-2.2/2	320	160	270	505	100*150	80	70*120	4-Φ14	Φ150	Φ110	4-Φ18	SD1-61-0.5
32/200-3/2	340	170	330	540	120*170	85	80*130	4-Φ14	Φ150	Φ110	4-Φ18	SD1-61-0.5
32/185-3/2	340	170	330	540	120*170	85	80*130	4-Φ14	Φ150	Φ110	4-Φ18	SD1-61-0.5
32/200-4/2	340	170	330	560	120*170	85	80*130	4-Φ14	Φ150	Φ110	4-Φ18	SD1-61-0.5
40/100-0.55/2	260	130	230	320	100*150	80	70*120	4-Φ14	Φ150	Φ110	4-Φ18	SD1-41-0.5
40/90-0.37/2	260	130	230	320	100*150	80	70*120	4-Φ14	Φ150	Φ110	4-Φ18	SD1-41-0.5
40/125-1.1/2	280	140	230	355	100*150	85	70*120	4-Φ14	Φ150	Φ110	4-Φ18	SD1-41-0.5
40/110-0.75/2	280	140	230	355	100*150	85	70*120	4-Φ14	Φ150	Φ110	4-Φ18	SD1-41-0.5
40/160-2.2/2	320	160	320	395	100*150	80	70*120	4-Φ14	Φ150	Φ110	4-Φ18	SD1-41-0.5
40/150-4.5/2	320	160	320	375	100*150	80	70*120	4-Φ14	Φ150	Φ110	4-Φ18	SD1-41-0.5
40/140-1.1/2	320	160	320	360	100*150	80	70*120	4-Φ14	Φ150	Φ110	4-Φ18	SD1-41-0.5
40/200-4/2	340	170	330	440	120*170	85	80*130	4-Φ14	Φ150	Φ110	4-Φ18	SD1-41-0.5
40/185-3/2	340	170	330	375	120*170	85	80*130	4-Φ14	Φ150	Φ110	4-Φ18	SD1-61-0.5
40/170-2.2/2	340	170	330	375	120*170	85	80*130	4-Φ14	Φ150	Φ110	4-Φ18	SD1-61-0.5
40/250-7.5/2	400	200	405	500	120*170	90	80*130	4-Φ14	Φ150	Φ110	4-Φ18	SD1-61-0.5
40/235-5.5/2	400	200	405	445	120*170	90	80*130	4-Φ14	Φ150	Φ110	4-Φ18	SD1-61-0.5
40/220-4/2	400	200	405	445	120*170	90	80*130	4-Φ14	Φ150	Φ110	4-Φ18	SD1-61-0.5
40/200-0.55/4	340	170	330	345	120*170	85	80*130	4-Φ14	Φ150	Φ110	4-Φ18	SD1-61-0.5
40/250-1.1/4	340	170	300	315	120*170	85	80*130	4-Φ14	Φ150	Φ110	4-Φ18	SD1-61-0.5
40/185-0.37/4	400	200	405	365	120*170	90	80*130	4-Φ14	Φ150	Φ110	4-Φ18	SD1-61-0.5
40/235-0.75/4	400	200	405	350	120*170	90	80*130	4-Φ14	Φ150	Φ110	4-Φ18	SD1-61-0.5
40/220-0.55/4	400	200	405	350	120*170	90	80*130	4-Φ14	Φ150	Φ110	4-Φ18	SD1-61-0.5
40/100-1.1/2	290	145	230	355	100*150	95	70*120	4-Φ14	Φ150	Φ110	4-Φ18	SD1-61-0.5
40/90-0.75/2	290	145	230	355	100*150	95	70*120	4-Φ14	Φ150	Φ110	4-Φ18	SD1-61-0.5
40/125-4.5/2	300	150	240	370	100*150	95	70*120	4-Φ14	Φ150	Φ110	4-Φ18	SD1-61-0.5
40/110-1.1/2	300	150	240	355	100*150	95	70*120	4-Φ14	Φ150	Φ110	4-Φ18	SD1-61-0.5
40/160/-3/2	320	160	300	450	120*170	95	80*130	4-Φ14	Φ150	Φ110	4-Φ18	SD1-61-0.5
40/150-2.2/2	320	160	300	400	120*170	95	80*130	4-Φ14	Φ150	Φ110	4-Φ18	SD1-61-0.5
40/140-1.5/2	320	160	300	370	120*170	95	80*130	4-Φ14	Φ150	Φ110	4-Φ18	SD1-61-0.5
40/200-5.5/2	360	180	350	520	120*170	95	80*130	4-Φ14	Φ150	Φ110	4-Φ18	SD1-61-0.5
40/185-4/2	360	180	350	465	120*170	95	80*130	4-Φ14	Φ150	Φ110	4-Φ18	SD1-61-0.5
40/170-3/2	360	180	350	445	120*170	95	80*130	4-Φ14	Φ150	Φ110	4-Φ18	SD1-61-0.5
40/250-11/2	440	220	410	650	140*200	100	100*160	4-Φ18	Φ150	Φ110	4-Φ18	JG2-1
40/235-7.5/2	440	220	410	535	140*200	100	100*160	4-Φ18	Φ150	Φ110	4-Φ18	JG2-1
40/220-7.5/2	440	220	410	535	140*200	100	100*160	4-Φ18	Φ150	Φ110	4-Φ18	JG2-1
50/100-1.1/2	290	145	230	355	100*150	95	70*120	4-Φ14	Φ165	Φ125	4-Φ18	SD1-41-0.5
50/90-0.75/2	290	145	230	355	100*150	95	70*120	4-Φ14	Φ165	Φ125	4-Φ18	SD1-41-0.5
50/125-1.5/2	300	150	240	370	100*150	95	70*120	4-Φ14	Φ165	Φ125	4-Φ18	SD1-41-0.5



50/110-1.1/2	300	150	240	355	100*150	95	70*120	4-Φ14	Φ165	Φ125	4-Φ18	SD1-41-0.5
50/160-3/2	320	160	300	370	120*170	95	80*130	4-Φ14	Φ165	Φ125	4-Φ18	SD1-61-0.5
50/150-2.2/2	320	160	300	400	120*170	95	80*130	4-Φ14	Φ165	Φ125	4-Φ18	SD1-61-0.5
50/140-1.5/2	320	160	300	370	120*170	95	80*130	4-Φ14	Φ165	Φ125	4-Φ18	SD1-61-0.5
50/200-5.5/2	360	180	350	520	120*170	95	80*130	4-Φ14	Φ165	Φ125	4-Φ18	SD1-61-0.5
50/185-4/2	360	180	350	465	120*170	95	80*130	4-Φ14	Φ165	Φ125	4-Φ18	SD1-61-0.5
50/170-3/2	360	180	350	445	120*170	95	80*130	4-Φ14	Φ165	Φ125	4-Φ18	SD1-61-0.5
50/250-11/2	440	220	410	650	140*200	100	100*160	4-Φ18	Φ165	Φ125	4-Φ18	JG2-1
50/235-7.5/2	440	220	410	535	140*200	100	100*160	4-Φ18	Φ165	Φ125	4-Φ18	JG2-1
50/220-7.5/2	440	220	410	535	140*200	100	100*160	4-Φ18	Φ165	Φ125	4-Φ18	JG2-1
50/200-0.75/4	360	180	350	370	120*170	95	80*130	4-Φ18	Φ165	Φ125	4-Φ18	SD1-61-0.5
50/185-0.55/4	360	180	350	370	120*170	95	80*130	4-Φ18	Φ165	Φ125	4-Φ18	SD1-61-0.5
50/250-1.5/4	440	220	410	445	140*200	100	100*160	4-Φ18	Φ165	Φ125	4-Φ18	SD1-61-0.5
50/235-1.1/4	440	220	410	400	140*200	100	100*160	4-Φ18	Φ165	Φ125	4-Φ18	SD1-61-0.5
50/220-0.75/4	440	220	410	385	140*200	100	100*160	4-Φ18	Φ165	Φ125	4-Φ18	SD1-61-0.5
50/100-1.5/2	320	160	250	370	140*200	95	100*160	4-Φ18	Φ165	Φ125	4-Φ18	SD1-61-0.5
50/90-1.1/2	320	160	250	365	140*200	100	100*160	4-Φ18	Φ165	Φ125	4-Φ18	SD1-61-0.5
50/125-3/2	340	170	285	450	140*200	100	100*160	4-Φ18	Φ165	Φ125	4-Φ18	SD1-61-0.5
50/110-2.2/2	340	170	285	400	140*200	100	100*160	4-Φ18	Φ165	Φ125	4-Φ18	SD1-61-0.5
50/160-4/2	360	180	315	470	140*200	100	100*160	4-Φ18	Φ165	Φ125	4-Φ18	SD1-61-0.5
50/150-4/2	360	180	315	470	140*200	100	100*160	4-Φ18	Φ165	Φ125	4-Φ18	SD1-61-0.5
50/140-3/4	360	180	315	435	140*200	100	100*160	4-Φ18	Φ165	Φ125	4-Φ18	SD1-61-0.5
50/200-7.5/2	380	190	365	520	140*200	100	100*160	4-Φ18	Φ165	Φ125	4-Φ18	SD1-61-0.5
50/185-5.5/2	380	190	350	520	140*200	100	100*160	4-Φ18	Φ165	Φ125	4-Φ18	SD1-61-0.5
50/170-5.5/2	380	190	350	520	140*200	100	100*160	4-Φ18	Φ165	Φ125	4-Φ18	SD1-61-0.5
50/250-15/2	480	240	415	645	160*220	115	120*180	4-Φ18	Φ165	Φ125	4-Φ18	JG2-1
50/235-11/2	480	240	415	645	160*220	115	120*180	4-Φ18	Φ165	Φ125	4-Φ18	JG2-1
50/220-11/2	480	240	415	645	160*220	115	120*180	4-Φ18	Φ165	Φ125	4-Φ18	JG2-1
50/315-30/2	550	270	510	830	190*280	130	150*240	4-Φ18	Φ165	Φ125	4-Φ18	JG2-1
50/300-22/2	550	270	470	725	190*280	130	150*240	4-Φ18	Φ165	Φ125	4-Φ18	JG2-1
50/285-18.5/2	550	270	435	700	190*280	130	150*240	4-Φ18	Φ165	Φ125	4-Φ18	JG2-1
50/270-15/2	550	270	435	655	190*280	130	150*240	4-Φ18	Φ165	Φ125	4-Φ18	JG2-2
65/100-1.5/2	320	160	255	370	140*200	95	100*160	4-Φ18	Φ185	Φ145	4-Φ18	SD1-61-0.5
65/90-1.1/2	320	160	255	365	140*200	100	100*160	4-Φ18	Φ185	Φ145	4-Φ18	SD1-61-0.5
65/125-3/2	340	170	280	450	140*200	100	100*160	4-Φ18	Φ185	Φ145	4-Φ18	SD1-61-0.5
65/110-2.2/2	340	170	280	395	140*200	100	100*160	4-Φ18	Φ185	Φ145	4-Φ18	SD1-61-0.5
65/160-4/2	360	180	325	465	140*200	100	100*160	4-Φ18	Φ185	Φ145	4-Φ18	SD1-61-0.5
65/140-3/2	360	180	325	465	140*200	100	100*160	4-Φ18	Φ185	Φ145	4-Φ18	SD1-61-0.5
65/200-7.5/2	380	190	360	520	140*200	100	100*160	4-Φ18	Φ185	Φ145	4-Φ18	SD1-61-0.5
65/185-5.5/2	380	190	360	520	140*200	100	100*160	4-Φ18	Φ185	Φ145	4-Φ18	SD1-61-0.5
65/170-5.5/2	380	190	360	520	140*200	100	100*160	4-Φ18	Φ185	Φ145	4-Φ18	SD1-61-0.5
65/250-15/2	480	240	425	645	160*220	115	120*180	4-Φ18	Φ185	Φ145	4-Φ18	JG2-1
65/235-11/2	480	240	425	645	160*220	115	120*180	4-Φ18	Φ185	Φ145	4-Φ18	JG2-1
65/220-11/2	480	240	425	645	160*220	115	120*180	4-Φ18	Φ185	Φ145	4-Φ18	JG2-1

65/315-30/2	540	270	510	830	190*280	130	150*240	4-Φ18	Φ185	Φ145	4-Φ18	JG2-2
65/300-22/2	540	270	470	725	190*280	130	150*240	4-Φ18	Φ185	Φ145	4-Φ18	JG2-2
65/285-18.5/2	540	270	435	700	190*280	130	150*240	4-Φ18	Φ185	Φ145	4-Φ18	JG2-2
65/270-15/2	540	270	435	655	190*280	130	150*240	4-Φ18	Φ185	Φ145	4-Φ18	JG2-2
65/200-1.1/4	380	190	355	385	140*200	100	100*160	4-Φ18	Φ185	Φ145	4-Φ18	SD1-61-0.5
65/185-0.75/4	380	190	355	370	140*200	100	100*160	4-Φ18	Φ185	Φ145	4-Φ18	SD1-61-0.5
65/250-2.2/4	480	240	415	475	160*220	115	120*180	4-Φ18	Φ185	Φ145	4-Φ18	SD1-61-0.5
65/235-1.5/4	480	240	415	440	160*220	115	120*180	4-Φ18	Φ185	Φ145	4-Φ18	SD1-61-0.5
65/220-1.1/4	480	240	415	415	160*220	115	120*180	4-Φ18	Φ185	Φ145	4-Φ18	SD1-61-0.5
65/315-4/4	540	270	510	505	190*280	130	150*240	4-Φ18	Φ185	Φ145	4-Φ18	SD1-61-0.5
65/300-3/4	540	270	470	485	190*280	130	150*240	4-Φ18	Φ185	Φ145	4-Φ18	SD1-61-0.5
65/285-3/4	540	270	470	485	190*280	130	150*240	4-Φ18	Φ185	Φ145	4-Φ18	SD1-61-0.5
65/100-3/2	400	200	325	450	140*200	120	100*160	4-Φ18	Φ185	Φ145	4-Φ18	SD1-61-0.5
65/90-2.2/2	400	200	325	435	140*200	120	100*160	4-Φ18	Φ185	Φ145	4-Φ18	SD1-61-0.5
65/125-5.5/2	400	200	365	525	140*200	120	100*160	4-Φ18	Φ185	Φ145	4-Φ18	SD1-61-0.5
65/110-4/2	400	200	365	470	140*200	120	100*160	4-Φ18	Φ185	Φ145	4-Φ18	SD1-61-0.5
65/160-7.5/2	400	200	385	525	140*200	120	100*160	4-Φ18	Φ185	Φ145	4-Φ18	SD1-61-0.5
65/150-7.5/2	400	200	385	525	140*200	120	100*160	4-Φ18	Φ185	Φ145	4-Φ18	SD1-61-0.5
65/140-5.5/2	400	200	385	525	140*200	120	100*160	4-Φ18	Φ185	Φ145	4-Φ18	SD1-61-0.5
65/200-15/2	430	215	425	650	140*200	125	100*160	4-Φ18	Φ185	Φ145	4-Φ18	JG2-1
65/185-11/2	430	215	425	650	140*200	125	100*160	4-Φ18	Φ185	Φ145	4-Φ18	JG2-1
60/170-7.5/2	430	215	425	650	140*200	125	100*160	4-Φ18	Φ185	Φ145	4-Φ18	JG2-1
65/250-22/2	480	240	465	720	160*220	125	120*180	4-Φ18	Φ185	Φ145	4-Φ18	JG2-2
65/235-18.5/2	480	240	465	720	160*220	125	120*180	4-Φ18	Φ185	Φ145	4-Φ18	JG2-2
65/220-15/2	480	240	465	690	160*220	125	120*180	4-Φ18	Φ185	Φ145	4-Φ18	JG2-2
65/315-37/2	600	300	510	830	190*280	140	150*240	4-Φ18	Φ185	Φ145	4-Φ18	JG3-2
65/300-30/2	600	300	510	830	190*280	140	150*240	4-Φ18	Φ185	Φ145	4-Φ18	JG3-2
65/285-30/2	600	300	510	830	190*280	140	150*240	4-Φ18	Φ185	Φ145	4-Φ18	JG3-2
65/270-22/2	600	300	470	785	190*280	140	150*240	4-Φ18	Φ185	Φ145	4-Φ18	JG3-2
80/100-3/2	400	200	325	450	140*200	120	100*160	4-Φ18	Φ200	Φ160	4-Φ18	SD1-61-0.5
80/90-2.2/2	400	200	325	435	140*200	120	100*160	4-Φ18	Φ200	Φ160	4-Φ18	SD1-61-0.5
80/125-5.5/2	400	200	365	525	140*200	120	100*160	4-Φ18	Φ200	Φ160	4-Φ18	SD1-61-0.5
80/110-4/2	400	200	365	470	140*200	120	100*160	4-Φ18	Φ200	Φ160	4-Φ18	SD1-61-0.5
80/160-7.5/2	400	200	385	520	140*200	120	100*160	4-Φ18	Φ200	Φ160	4-Φ18	SD1-61-0.5
80/150-7.5/2	400	200	385	520	140*200	120	100*160	4-Φ18	Φ200	Φ160	4-Φ18	SD1-61-0.5
80/140-5.5/2	400	200	385	520	140*200	120	100*160	4-Φ18	Φ200	Φ160	4-Φ18	SD1-61-0.5
80/200-15/2	430	215	425	650	160*220	125	120*180	4-Φ18	Φ200	Φ160	4-Φ18	JG2-2
80/185-11/2	430	215	425	650	160*220	125	120*180	4-Φ18	Φ200	Φ160	4-Φ18	JG2-2
80/170-7.5/2	430	215	395	535	160*220	125	120*180	4-Φ18	Φ200	Φ160	4-Φ18	JG2-2
80/250-22/2	480	240	465	720	160*220	125	120*180	4-Φ18	Φ200	Φ160	4-Φ18	JG2-2
80/235-18.5/2	480	240	465	720	160*220	125	120*180	4-Φ18	Φ200	Φ160	4-Φ18	JG2-2
80/220-15/2	480	240	465	685	160*220	125	120*180	4-Φ18	Φ200	Φ160	4-Φ18	JG2-2
80/315-37/2	600	300	520	830	190*280	140	150*240	4-Φ18	Φ200	Φ160	4-Φ18	JG3-2
80/300-30/2	600	300	520	830	190*280	140	150*240	4-Φ18	Φ200	Φ160	4-Φ18	JG3-2

80/285-30/2	600	300	470	790	190*280	140	150*240	4-Φ18	Φ200	Φ160	4-Φ18	JG3-2
80/270-22/2	400	200	365	385	190*280	140	150*240	4-Φ18	Φ200	Φ160	4-Φ18	JG3-2
80/160-1.1/4	400	200	365	375	140*200	120	100*160	4-Φ18	Φ200	Φ160	4-Φ18	SD1-61-0.5
80/150-0.75/4	400	200	385	375	140*200	120	100*160	4-Φ18	Φ200	Φ160	4-Φ18	SD1-61-0.5
80/125-0.75/4	400	200	385	375	140*200	120	100*160	4-Φ18	Φ200	Φ160	4-Φ18	SD1-61-0.5
80/110-0.55/4	400	200	385	375	140*200	120	100*160	4-Φ18	Φ200	Φ160	4-Φ18	SD1-61-0.5
80/200-2.2/4	430	215	415	480	140*200	125	100*160	4-Φ18	Φ200	Φ160	4-Φ18	SD1-61-0.5
80/185-1.5/4	430	215	415	445	140*200	125	100*160	4-Φ18	Φ200	Φ160	4-Φ18	SD1-61-0.5
80/250-3/4	480	240	465	480	140*200	125	100*160	4-Φ18	Φ200	Φ160	4-Φ18	SD1-61-0.5
80/235-2.2/4	480	240	465	465	140*200	125	100*160	4-Φ18	Φ200	Φ160	4-Φ18	SD1-61-0.5
80/220-1.5/4	480	240	435	445	140*200	125	100*160	4-Φ18	Φ200	Φ160	4-Φ18	SD1-61-0.5
80/315-5.5/4	600	300	510	560	190*280	140	150*240	4-Φ18	Φ200	Φ160	4-Φ18	SD1-61-0.5
80/300-4/4	600	300	510	505	190*280	140	150*240	4-Φ18	Φ200	Φ160	4-Φ18	SD1-61-0.5
80/285-3/4	600	300	480	485	190*280	140	150*240	4-Φ18	Φ200	Φ160	4-Φ18	SD1-61-0.5
80/100-5.5/2	460	230	480	550	160*220	130	120*180	4-Φ18	Φ200	Φ160	4-Φ18	SD1-61-0.5
80/90-4/2	460	230	370	475	160*220	130	120*180	4-Φ18	Φ200	Φ160	4-Φ18	SD1-61-0.5
80/125-11/2	440	220	415	650	160*220	130	120*180	4-Φ18	Φ200	Φ160	8-Φ18	JG2-1
80/110-7.5/2	440	220	415	535	160*220	130	120*180	4-Φ18	Φ200	Φ160	8-Φ18	JG2-1
80/160-15/2	480	240	435	650	190*220	140	120*180	4-Φ18	Φ200	Φ160	8-Φ18	JG2-1
80/150-11/2	480	240	435	650	190*220	140	120*180	4-Φ18	Φ200	Φ160	8-Φ18	JG2-1
80/140-11/2	480	240	435	650	190*220	140	120*180	4-Φ18	Φ200	Φ160	8-Φ18	JG3-1
80/200-22/2	480	240	435	725	190*220	140	120*180	4-Φ18	Φ200	Φ160	8-Φ18	JG2-2
80/185-18.5/2	480	240	465	700	140*220	120	100*160	4-Φ18	Φ200	Φ160	8-Φ18	JG2-2
80/170-15/2	480	240	465	655	140*220	120	100*160	4-Φ18	Φ200	Φ160	8-Φ18	JG2-2
80/250-37/2	540	270	510	830	140*220	140	120*180	4-Φ18	Φ200	Φ160	8-Φ18	JG2-2
80/235-30/2	540	270	510	830	140*220	140	120*180	4-Φ18	Φ200	Φ160	8-Φ18	JG2-2
80/220-30/2	540	270	510	830	140*220	140	120*180	4-Φ18	Φ200	Φ160	8-Φ18	JG2-2
80/315-75/2	640	320	670	1035	140*300	165	210*260	4-Φ18	Φ200	Φ160	8-Φ18	JG3-1
80/300-55/2	640	320	670	965	140*300	165	210*260	4-Φ18	Φ200	Φ160	8-Φ18	JG3-1
80/285-45/2	640	320	300	880	140*300	165	210*260	4-Φ18	Φ200	Φ160	8-Φ18	JG3-1
80/270-37/2	640	320	520	840	140*300	165	210*260	4-Φ18	Φ200	Φ160	8-Φ18	JG3-1
100/100-4/2	640	230	360	475	140*220	130	120*180	4-Φ18	Φ220	Φ180	8-Φ18	SD1-61-0.5
100/110-5.5/2	440	230	400	530	160*220	130	120*180	4-Φ18	Φ220	Φ180	8-Φ18	SD1-61-0.5
100/140-7.5/2	500	250	380	550	160*220	140	120*180	4-Φ18	Φ220	Φ180	8-Φ18	SD1-61-0.5
100/160-11/2	500	250	415	650	160*220	140	120*180	4-Φ18	Φ220	Φ180	8-Φ18	JG2-2
100/170-11/2	480	240	465	655	190*220	140	120*180	4-Φ18	Φ220	Φ180	8-Φ18	JG2-2
100/185-15/2	480	240	465	655	190*220	140	120*180	4-Φ18	Φ220	Φ180	8-Φ18	JG2-2
100/200-18.5/2	480	240	465	700	190*220	140	120*180	4-Φ18	Φ220	Φ180	8-Φ18	JG2-2
100/220-22/2	540	270	480	720	190*220	140	120*180	4-Φ18	Φ220	Φ180	8-Φ18	JG2-2
100/235-22/2	540	270	480	720	140*220	140	120*180	4-Φ18	Φ220	Φ180	8-Φ18	JG2-2
100/250-30/2	540	270	510	825	140*220	140	120*180	4-Φ18	Φ220	Φ180	8-Φ18	JG2-2
100/100-5.5/2	460	230	370	525	140*220	130	120*180	4-Φ18	Φ220	Φ180	8-Φ18	SD1-61-0.5
100/90-4/2	460	230	370	475	140*220	130	120*180	4-Φ18	Φ220	Φ180	8-Φ18	SD1-61-0.5
100/125-11/2	440	220	415	650	140*220	130	120*180	4-Φ18	Φ220	Φ180	8-Φ18	SD1-61-0.5

100/110-7.5/2	440	220	415	535	140*220	130	120*180	4-Φ18	Φ220	Φ180	8-Φ18	JG2-1
100/160-15/2	500	250	430	650	160*220	140	120*180	4-Φ18	Φ220	Φ180	8-Φ18	JG2-1
100/150-11/2	500	250	430	650	160*220	140	120*180	4-Φ18	Φ220	Φ180	8-Φ18	JG2-1
100/140-11/2	500	250	430	650	160*220	140	120*180	4-Φ18	Φ220	Φ180	8-Φ18	JG2-2
100/200-22/2	480	240	470	725	190*220	140	150*240	4-Φ18	Φ220	Φ180	8-Φ18	JG2-2
100/185-18.5/2	480	240	470	700	190*220	140	150*240	4-Φ18	Φ220	Φ180	8-Φ18	JG2-2
100/170-15/2	480	240	470	655	190*220	140	150*240	4-Φ18	Φ220	Φ180	8-Φ18	JG2-2
100/250-37/2	540	270	510	830	160*220	140	120*180	4-Φ18	Φ220	Φ180	8-Φ18	JG2-2
100/235-30/2	540	270	510	830	160*220	140	120*180	4-Φ18	Φ220	Φ180	8-Φ18	JG2-2
100/200-30/2	540	270	510	830	160*220	140	120*180	4-Φ18	Φ220	Φ180	8-Φ18	JG3-1
100/315-75/2	640	320	675	1035	250*300	140	210*260	4-Φ18	Φ220	Φ180	8-Φ18	JG3-1
100/300-55/2	640	320	675	965	250*300	140	210*260	4-Φ18	Φ220	Φ180	8-Φ18	JG3-1
100/285-45/2	640	320	650	880	250*300	140	210*260	4-Φ18	Φ220	Φ180	8-Φ18	JG3-1
100/270-37/2	640	320	600	840	250*300	140	210*260	4-Φ18	Φ220	Φ180	8-Φ18	SD1-61-0.5
100/125-1.1/4	440	220	415	420	160*220	130	120*180	4-Φ18	Φ220	Φ180	8-Φ18	SD1-61-0.5
100/110-1.1/4	440	220	415	420	160*220	130	120*180	4-Φ18	Φ220	Φ180	8-Φ18	SD1-61-0.5
100/160-2.2/4	500	250	425	480	160*220	140	120*180	4-Φ18	Φ220	Φ180	8-Φ18	SD1-61-0.5
100/150-1.5/4	500	250	425	445	160*220	140	120*180	4-Φ18	Φ220	Φ180	8-Φ18	SD1-61-0.5
100/200-3/4	480	240	465	485	160*220	140	120*180	4-Φ18	Φ220	Φ180	8-Φ18	SD1-61-0.5
100/185-2.2/4	480	240	465	485	160*220	140	120*180	4-Φ18	Φ220	Φ180	8-Φ18	SD1-61-0.5
100/250-5.5/4	540	270	510	560	160*220	140	120*180	4-Φ18	Φ220	Φ180	8-Φ18	SD1-61-0.5
100/235-4/4	540	270	510	505	160*220	140	120*180	4-Φ18	Φ220	Φ180	8-Φ18	SD1-61-0.5
100/220-3/4	540	270	510	485	160*220	140	120*180	4-Φ18	Φ220	Φ180	8-Φ18	SD1-61-0.5
100/315-11/4	640	320	650	665	250*300	160	210*260	4-Φ22	Φ220	Φ180	8-Φ18	SD1-61-0.5
100/300-7.5/4	640	320	600	610	250*300	160	210*260	4-Φ22	Φ220	Φ180	8-Φ18	SD1-61-0.5
100/285-5.5/4	640	320	600	570	250*300	160	210*260	4-Φ22	Φ220	Φ180	8-Φ18	SD1-61-0.5
125/100-11/2	500	250	430	665	160*220	170	120*180	4-Φ18	Φ250	Φ210	8-Φ18	JG2-1
125/90-7.5/2	500	250	430	570	160*220	170	120*180	4-Φ18	Φ250	Φ210	8-Φ18	JG2-1
125/125-15/2	580	280	475	660	250*300	185	210*260	4-Φ22	Φ250	Φ210	8-Φ18	JG2-2
125/110-11/2	580	280	475	660	250*300	185	210*260	4-Φ22	Φ250	Φ210	8-Φ18	JG2-2
125/160-22/2	580	280	485	725	250*300	185	210*260	4-Φ22	Φ250	Φ210	8-Φ18	JG2-2
125/160-18.5/2	580	280	485	700	250*300	185	210*260	4-Φ22	Φ250	Φ210	8-Φ18	JG2-2
125/140-15/2	580	280	485	655	250*300	185	210*260	4-Φ22	Φ250	Φ210	8-Φ18	JG2-2
125/200-37/2	620	300	510	825	250*300	185	210*260	4-Φ22	Φ250	Φ210	8-Φ18	JG2-2
125/185-30/2	620	300	510	825	250*300	185	210*260	4-Φ22	Φ250	Φ210	8-Φ18	JG2-2
125/170-22/2	620	300	485	720	250*300	185	210*260	4-Φ22	Φ250	Φ210	8-Φ18	JG2-2
125/250-55/2	650	310	650	965	300*350	185	250*300	4-Φ22	Φ250	Φ210	8-Φ18	JG3-1
125/235-45/2	650	310	600	880	300*350	185	250*300	4-Φ22	Φ250	Φ210	8-Φ18	JG3-1
125/220-37/2	650	310	560	835	300*350	185	250*300	4-Φ22	Φ250	Φ210	8-Φ18	JG3-1
125/315-90/2	680	330	720	1085	300*350	195	250*300	4-Φ22	Φ250	Φ210	8-Φ18	JG3-1
125/300-75/2	680	330	720	1035	300*350	195	250*300	4-Φ22	Φ250	Φ210	8-Φ18	JG3-1
125/285-75/2	680	330	720	1035	300*350	195	250*300	4-Φ22	Φ250	Φ210	8-Φ18	JG3-1
125/270-55/2	680	330	720	965	300*350	195	250*300	4-Φ22	Φ250	Φ210	8-Φ18	JG3-1
125/350-110/2	700	350	860	1235	300*350	185	250*300	4-Φ22	Φ250	Φ210	8-Φ18	JG3-2

125/330-90/2	700	350	720	1085	300*350	185	250*300	4-Φ22	Φ250	Φ210	8-Φ18	JG3-2
125/310-75/2	700	350	720	1035	300*350	185	250*300	4-Φ22	Φ250	Φ210	8-Φ18	JG3-2
125/160-4/4	580	280	465	485	250*300	185	210*260	4-Φ22	Φ250	Φ210	8-Φ18	SD1-61-0.5
125/220-5.5/4	620	300	480	555	250*300	185	210*260	4-Φ22	Φ250	Φ210	8-Φ18	SD1-61-0.5
125/185-4/4	620	300	480	500	250*300	185	210*260	4-Φ22	Φ250	Φ210	8-Φ18	SD1-61-0.5
125/250-11/4	650	310	530	610	250*300	185	210*260	4-Φ22	Φ250	Φ210	8-Φ18	JG2-1
125/235-7.5/4	650	310	530	610	250*300	185	210*260	4-Φ22	Φ250	Φ210	8-Φ18	JG2-1
125/220-5.5/4	650	310	530	570	250*300	185	210*260	4-Φ22	Φ250	Φ210	8-Φ18	JG2-1
125/315-15/4	700	350	545	710	300*350	195	250*300	4-Φ22	Φ250	Φ210	8-Φ18	JG2-2
125/300-11/4	700	350	545	710	300*350	195	250*300	4-Φ22	Φ250	Φ210	8-Φ18	JG2-2
125/285-7.5/4	700	350	545	660	300*350	195	250*300	4-Φ22	Φ250	Φ210	8-Φ18	JG2-2
125/400-30/4	780	380	600	845	250*300	195	210*260	4-Φ22	Φ250	Φ210	8-Φ18	JG3-1
125/370-22/4	780	380	600	775	250*300	195	210*260	4-Φ22	Φ250	Φ210	8-Φ18	JG3-1
125/345-18.5/4	780	380	600	735	250*300	195	210*260	4-Φ22	Φ250	Φ210	8-Φ18	JG3-1
150/160-30/2	620	300	475	825	250*300	190	210*260	4-Φ22	Φ285	Φ240	8-Φ22	JG2-2
150/150-22/2	620	300	465	730	250*300	190	210*260	4-Φ22	Φ285	Φ240	8-Φ22	JG2-2
150/140-18.5/2	620	300	465	700	250*300	190	210*260	4-Φ22	Φ285	Φ240	8-Φ22	JG2-2
150/200-45/2	620	300	550	870	250*300	185	210*260	4-Φ22	Φ285	Φ240	8-Φ22	JG3-1
150/185-37/2	620	300	510	825	250*300	185	210*260	4-Φ22	Φ285	Φ240	8-Φ22	JG3-1
150/170-30/2	620	300	495	825	250*300	185	210*260	4-Φ22	Φ285	Φ240	8-Φ22	JG3-1
150/250-75/2	650	325	685	1040	300*350	195	250*300	4-Φ22	Φ285	Φ240	8-Φ22	JG3-1
150/235-55/2	650	325	655	970	300*350	195	250*300	4-Φ22	Φ285	Φ240	8-Φ22	JG3-1
150/220-45/2	650	325	600	885	300*350	195	250*300	4-Φ22	Φ285	Φ240	8-Φ22	JG3-1
150/315-110/2	700	350	790	1320	350*450	195	300*400	4-Φ22	Φ285	Φ240	8-Φ22	JG2-2
150/300-90/2	700	350	700	1085	350*450	195	300*400	4-Φ22	Φ285	Φ240	8-Φ22	JG2-2
150/285-75/2	700	350	700	1035	350*450	195	300*400	4-Φ22	Φ285	Φ240	8-Φ22	JG2-2
150/200-11/4	680	320	485	640	250*300	190	210*260	4-Φ22	Φ285	Φ240	8-Φ22	JG2-2
150/185-7.5/4	680	320	485	585	250*300	190	210*260	4-Φ22	Φ285	Φ240	8-Φ22	JG2-2
150/250-15/4	700	340	540	910	250*300	190	210*260	4-Φ22	Φ285	Φ240	8-Φ22	JG2-2
150/235-11/4	700	340	540	875	250*300	190	210*260	4-Φ22	Φ285	Φ240	8-Φ22	JG2-2
150/220-7.5/4	700	340	540	875	250*300	190	210*260	4-Φ22	Φ285	Φ240	8-Φ22	JG2-2
150/315-22/4	760	380	550	790	250*300	195	210*260	4-Φ22	Φ285	Φ240	8-Φ22	JG2-2
150/300-18.5/4	760	380	540	750	250*300	195	210*260	4-Φ22	Φ285	Φ240	8-Φ22	JG3-1
150/285-15/4	760	380	540	725	250*300	195	210*260	4-Φ22	Φ285	Φ240	8-Φ22	JG3-1
150/400-37/4	800	400	550	865	250*300	205	210*260	4-Φ22	Φ285	Φ240	8-Φ22	JG3-1
150/370-30/4	800	400	500	850	250*300	205	210*260	4-Φ22	Φ285	Φ240	8-Φ22	JG3-1
150/345-22/4	800	400	530	785	250*300	205	210*260	4-Φ22	Φ285	Φ240	8-Φ22	JG3-1
150/510-75/4	1000	500	685	1040	450*450	235	300*400	4-Φ22	Φ285	Φ240	8-Φ22	JG3-1
150/475-55/4	1000	500	645	970	450*450	235	300*400	4-Φ22	Φ250	Φ210	8-Φ18	JG3-1
150/440-45/4	1000	500	635	875	350*450	235	300*400	4-Φ22	Φ285	Φ240	8-Φ22	JG3-1
150/200-15/4	680	320	440	705	250*300	190	210*260	4-Φ22	Φ285	Φ240	8-Φ22	JG2-2
150/185-11/4	680	320	440	665	250*300	190	210*260	4-Φ22	Φ285	Φ240	8-Φ22	JG2-2
150/250-18.5/4	700	340	475	735	250*300	190	210*260	4-Φ22	Φ285	Φ240	8-Φ22	JG2-2
150/235-15/4	700	340	475	710	250*300	190	210*260	4-Φ22	Φ285	Φ240	8-Φ22	JG2-2

150/220-11/4	700	340	475	665	250*300	190	210*260	4-Φ22	Φ285	Φ240	8-Φ22	JG2-2
150/315-30/4	760	380	545	840	250*300	195	210*260	4-Φ22	Φ285	Φ240	8-Φ22	JG3-1
150/300-22/4	760	380	520	775	250*300	195	210*260	4-Φ22	Φ285	Φ240	8-Φ22	JG3-1
150/285-18.5/4	760	380	520	735	250*300	195	210*260	4-Φ22	Φ285	Φ240	8-Φ22	JG3-1
150/400-45/4	800	400	575	880	250*300	205	210*260	4-Φ22	Φ285	Φ240	8-Φ22	JG3-1
150/370-37/4	800	400	575	855	250*300	205	210*260	4-Φ22	Φ285	Φ240	8-Φ22	JG3-1
150/345-30/4	800	400	575	820	250*300	205	210*260	4-Φ22	Φ285	Φ240	8-Φ22	JG3-1
150/320-22/4	800	400	575	775	250*300	205	210*260	4-Φ22	Φ285	Φ240	8-Φ22	JG3-1
150/510-90/4	1000	500	700	1080	350*450	235	300*400	4-Φ22	Φ285	Φ240	8-Φ22	JG3-2
150/475-75/4	1000	500	700	1030	350*450	235	300*400	4-Φ22	Φ285	Φ240	8-Φ22	JG3-2
150/440-55/4	1000	500	700	760	350*450	235	300*400	4-Φ22	Φ285	Φ240	8-Φ22	JG3-2
150/410-45/4	1000	500	650	875	350*450	235	300*400	4-Φ22	Φ285	Φ240	8-Φ22	JG3-2
200/200-15/4	700	330	465	705	300*370	200	250*320	4-Φ22	Φ340	Φ295	12-Φ22	JG2-2
200/185-11/4	700	330	465	660	300*370	200	250*320	4-Φ22	Φ340	Φ295	12-Φ22	JG2-2
200/250-18.5/4	750	375	540	735	300*370	210	250*320	4-Φ22	Φ340	Φ295	12-Φ22	JG2-2
200/235-15/4	750	375	540	710	300*370	210	250*320	4-Φ22	Φ340	Φ295	12-Φ22	JG2-2
200/220-11/4	750	375	540	665	300*370	210	250*320	4-Φ22	Φ340	Φ295	12-Φ22	JG2-2
200/315-30/4	830	400	540	840	300*370	210	250*320	4-Φ22	Φ340	Φ295	12-Φ22	JG3-1
200/300-22/4	830	400	540	775	300*370	210	250*320	4-Φ22	Φ340	Φ295	12-Φ22	JG3-1
200/285-18.5/4	830	400	540	735	300*370	210	250*320	4-Φ22	Φ340	Φ295	12-Φ22	JG3-1
200/400-45/4	880	440	575	680	300*370	220	250*320	4-Φ22	Φ340	Φ295	12-Φ22	JG3-1
200/370-37/4	880	440	575	855	300*370	220	250*320	4-Φ22	Φ340	Φ295	12-Φ22	JG3-1
200/345-30/4	880	440	540	820	300*370	220	250*320	4-Φ22	Φ340	Φ295	12-Φ22	JG3-1
200/320-22/4	880	440	520	775	300*370	220	250*320	4-Φ22	Φ340	Φ295	12-Φ22	JG3-1
200/235-18.5/4	750	375	540	735	300*370	210	250*320	4-Φ22	Φ340	Φ295	12-Φ22	JG3-1
200/285-22/4	830	400	540	775	300*370	210	250*320	4-Φ22	Φ340	Φ295	12-Φ22	JG3-1
200/325-30/4	830	400	540	840	300*370	210	250*320	4-Φ22	Φ340	Φ295	12-Φ22	JG3-1
200/345-37/4	880	440	575	855	300*370	220	250*320	4-Φ22	Φ340	Φ295	12-Φ22	JG3-1
200/370-45/4	880	440	575	880	300*370	220	250*320	4-Φ22	Φ340	Φ295	12-Φ22	JG3-1
200/405-55/4	880	440	625	960	300*370	220	250*320	4-Φ22	Φ340	Φ295	12-Φ22	JG3-1
200/510-90/4	1020	500	700	1080	350*450	235	300*400	4-Φ22	Φ340	Φ295	12-Φ22	JG3-1
200/200-18.5/4	830	400	545	740	300*370	235	250*420	4-Φ22	Φ340	Φ295	12-Φ22	JG3-1
200/185-15/4	830	400	525	720	300*370	225	250*320	4-Φ22	Φ340	Φ295	12-Φ22	JG2-2
200/250-30/4	830	400	545	720	300*370	225	250*320	4-Φ22	Φ340	Φ295	12-Φ22	JG3-1
200/235-18.5/4	830	400	545	735	300*370	225	250*320	4-Φ22	Φ340	Φ295	12-Φ22	JG2-2
200/220-15/4	830	400	545	720	300*370	225	250*320	4-Φ22	Φ340	Φ295	12-Φ22	JG2-2
200/315-45/4	860	420	630	895	300*370	220	250*320	4-Φ22	Φ340	Φ295	12-Φ22	JG3-1
200/300-37/4	860	420	620	870	300*370	220	250*320	4-Φ22	Φ340	Φ295	12-Φ22	JG3-1
200/285-30/4	860	420	630	820	300*370	220	250*320	4-Φ22	Φ340	Φ295	12-Φ22	JG3-1
200/400-75/4	880	440	685	1050	300*370	235	250*320	4-Φ22	Φ340	Φ295	12-Φ22	JG3-1
200/370-55/4	880	440	685	980	300*370	235	250*320	4-Φ22	Φ340	Φ295	12-Φ22	JG3-1
200/345-45/4	880	440	685	895	300*370	235	250*320	4-Φ22	Φ340	Φ295	12-Φ22	JG3-1
200/320-37/4	880	440	685	875	300*370	235	250*320	4-Φ22	Φ340	Φ295	12-Φ22	JG3-1
200/510-110/4	1080	530	850	1335	350*450	260	300*400	4-Φ22	Φ340	Φ295	12-Φ22	JG3-2

200/475-90/4	1080	530	850	1100	350*450	260	300*400	4-Φ22	Φ340	Φ295	12-Φ22	JG3-2
200/440-75/4	1080	530	850	1050	350*450	260	300*400	4-Φ22	Φ340	Φ295	12-Φ22	JG3-2
200/280-37/4	860	420	630	870	300*370	220	250*320	4-Φ22	Φ340	Φ295	12-Φ22	JG3-1
200/300-37/4	860	420	630	870	300*370	220	250*320	4-Φ22	Φ340	Φ295	12-Φ22	JG3-2
200/325-45/4	860	420	650	895	300*370	220	250*320	4-Φ22	Φ340	Φ295	12-Φ22	JG3-1
200/350-55/4	880	440	685	980	300*370	235	250*320	4-Φ22	Φ340	Φ295	12-Φ22	JG2-1
200/395-75/4	880	440	685	1050	300*370	235	250*320	4-Φ22	Φ340	Φ295	12-Φ22	JG2-1
200/200-22/4	830	400	540	775	300*370	225	250*320	4-Φ22	Φ340	Φ295	12-Φ22	JG2-2
200/185-18.5/4	830	400	540	735	300*370	225	250*320	4-Φ22	Φ340	Φ295	12-Φ22	JG2-2
200/250-30/4	830	400	540	840	300*370	225	250*320	4-Φ22	Φ340	Φ295	12-Φ22	JG2-2
200/235-22/4	830	400	540	775	300*370	225	250*320	4-Φ22	Φ340	Φ295	12-Φ22	JG2-2
200/220-18.5/4	830	400	540	735	300*370	225	250*320	4-Φ22	Φ340	Φ295	12-Φ22	JG2-2
200/315-55/4	860	420	630	980	300*370	220	250*320	4-Φ22	Φ340	Φ295	12-Φ22	JG3-1
200/300-45/4	860	420	630	895	300*370	220	250*320	4-Φ22	Φ340	Φ295	12-Φ22	JG3-1
200/285-37/4	860	420	630	870	300*370	220	250*320	4-Φ22	Φ340	Φ295	12-Φ22	JG3-1
200/400-75/4	880	440	685	1050	300*370	235	250*320	4-Φ22	Φ340	Φ295	12-Φ22	JG3-1
200/370-75/4	880	440	685	1050	300*370	235	250*320	4-Φ22	Φ340	Φ295	12-Φ22	JG3-1
200/345-55/4	880	440	685	980	300*370	235	250*320	4-Φ22	Φ340	Φ295	12-Φ22	JG3-1
200/320-45/4	880	440	685	895	300*370	235	250*320	4-Φ22	Φ340	Φ295	12-Φ22	JG3-1
200/510-132/4	1080	530	900	1445	350*450	260	300*400	4-Φ22	Φ340	Φ295	12-Φ22	JG3-2
200/475-110/4	1080	530	900	1335	350*450	260	300*400	4-Φ22	Φ340	Φ295	12-Φ22	JG3-2
200/440-90/4	1080	530	850	1100	350*450	260	300*400	4-Φ22	Φ340	Φ295	12-Φ22	JG3-2
200/410-75/4	1080	530	850	1050	350*450	260	300*400	4-Φ22	Φ340	Φ295	12-Φ22	JG3-2
200-300-220/2	920	445	950	1550	350*450	240	300*400	4-Φ22	Φ340	Φ295	12-Φ22	JG3-2
200/310-220/2	920	445	950	1430	350*450	240	300*400	4-Φ22	Φ340	Φ295	12-Φ22	JG3-2
200/285-132/2	920	445	860	1430	350*450	240	300*400	4-Φ22	Φ340	Φ295	12-Φ22	JG3-2
250/290-45/4	1100	500	670	915	400*500	310	350*450	4-Φ27	Φ405	Φ355	12Φ-26	JG3-2
250/310-55/4	1100	500	670	1000	400*500	310	350*450	4-Φ27	Φ405	Φ355	12-Φ26	JG3-2
250/360-75/4	1200	550	850	1080	400*500	310	350*450	4-Φ27	Φ405	Φ355	12Φ-26	JG3-2
250/405-90/4	1200	550	850	1130	400*500	310	350*450	4-Φ27	Φ405	Φ355	12-Φ26	JG3-2
250/200-30/4	1010	460	640	875	350*450	310	300*400	4-Φ22	Φ405	Φ355	12Φ-26	JG3-1
250/185-22/4	1010	460	640	810	350*450	310	300*400	4-Φ22	Φ405	Φ355	12-Φ26	JG3-1
250/250-45/4	1010	460	640	915	350*450	310	300*400	4-Φ22	Φ405	Φ355	12Φ-26	JG3-1
250/235-37/4	1010	460	640	890	350*450	310	300*400	4-Φ27	Φ405	Φ355	12-Φ26	JG3-1
250/315-75/4	1100	500	685	1070	400*500	310	350*450	4-Φ27	Φ405	Φ355	12Φ-26	JG3-2
250/300-55/4	1100	500	685	1000	400*500	310	350*450	4-Φ27	Φ405	Φ355	12-Φ26	JG3-2
250/285-45/4	1100	500	640	915	400*500	310	350*450	4-Φ27	Φ405	Φ355	12Φ-26	JG3-2
250/400-110/4	1200	550	900	1365	400*500	310	350*450	4-Φ27	Φ405	Φ355	12-Φ26	JG3-2
250/370-90/4	1200	550	800	1130	400*500	310	350*450	4-Φ27	Φ405	Φ355	12Φ-26	JG3-2
250/345-75/4	1200	550	800	1080	400*500	310	350*450	4-Φ27	Φ405	Φ355	12-Φ26	JG3-2
250/320-75/4	1200	550	800	1080	400*500	310	350*450	4-Φ27	Φ405	Φ355	12Φ-26	JG3-2
250/425-132/4	1250	600	900	1475	400*500	320	350*450	4-Φ27	Φ405	Φ355	12-Φ26	JG4-1
250/480-160/4	1250	600	900	1475	400*500	320	350*450	4-Φ27	Φ405	Φ355	12Φ-26	JG4-1
250/435-160/4	1250	600	900	1475	400*500	320	350*450	4-Φ27	Φ405	Φ355	12-Φ26	JG4-1

250/390-90/4	1250	600	800	1095	400*500	320	350*450	4-Φ-27	Φ405	Φ355	12Φ-26	JG4-1
240/510-200/4	1280	640	900	1485	400*500	325	350*450	4-Φ-27	Φ405	Φ355	12-Φ26	JG4-1
250/475-160/4	1280	640	900	1485	400*500	325	350*450	4-Φ-27	Φ405	Φ355	12Φ-26	JG4-1
250/440-132/4	1280	640	900	1485	400*500	325	350*450	4-Φ-27	Φ405	Φ355	12-Φ26	JG4-1
300/250-45/4	1180	550	700	1010	400*500	370	350*450	4-Φ-27	Φ460	Φ410	12Φ-26	JG3-2
300/285-55/4	1250	625	800	925	400*500	370	350*450	4-Φ-27	Φ460	Φ410	12-Φ26	JG3-2
300/325-75/4	1250	625	800	1080	400*500	370	350*450	4-Φ-27	Φ460	Φ410	12Φ-26	JG3-2
300/360-90/4	1300	650	800	1145	480*530	360	400*450	4-Φ-27	Φ460	Φ410	12-Φ26	JG4-1
300/390-110/4	1300	650	920	1380	480*530	360	400*450	4-Φ-27	Φ460	Φ410	12Φ-26	JG4-1
300/420-132/4	1350	650	920	1400	480*530	360	400*450	4-Φ-27	Φ460	Φ410	12-Φ26	JG4-1
300/250-55/4	1180	550	920	1010	400*500	370	350*450	4-Φ-27	Φ460	Φ410	12Φ-26	JG3-1
300/235-45/4	1180	550	700	930	400*500	370	350*450	4-Φ-27	Φ460	Φ410	12-Φ26	JG3-2
300/220-37/4	1180	550	700	900	400*500	370	350*450	4-Φ-27	Φ460	Φ410	12Φ-26	JG3-2
300/300-75/4	1250	625	800	1080	400*500	370	350*450	4-Φ-27	Φ460	Φ410	12-Φ26	JG3-2
300/280-75/4	1250	625	800	1080	400*500	370	350*450	4-Φ-27	Φ460	Φ410	12Φ-26	JG3-2
300/260-55/4	1250	625	800	1010	400*500	370	350*450	4-Φ-27	Φ460	Φ410	12-Φ26	JG3-2
300/315-90/4	1250	625	800	1130	400*500	370	350*450	4-Φ-27	Φ460	Φ410	12Φ-26	JG3-2
300/295-75/4	1250	625	800	1080	400*500	370	350*450	4-Φ-27	Φ460	Φ410	12-Φ26	JG3-2
300/270-55/4	1250	625	800	1010	400*500	370	350*450	4-Φ-27	Φ460	Φ410	12Φ-26	JG4-1
300/380-132/4	1250	600	920	1400	480*530	360	400*450	4-Φ-27	Φ460	Φ410	12-Φ26	JG4-1
300/360-100/4	1250	600	920	1380	480*530	360	400*450	4-Φ-27	Φ460	Φ410	12Φ-26	JG4-1
300/350-90/4	1250	600	850	1145	480*530	360	400*450	4-Φ-27	Φ460	Φ410	12-Φ26	JG4-1
300/400-132/4	1250	600	920	1400	480*530	360	400*450	4-Φ-27	Φ460	Φ410	12Φ-26	JG4-1
300/370-110/4	1250	600	920	1380	480*530	360	400*450	4-Φ-27	Φ460	Φ410	12-Φ26	JG4-1
300/345-90/4	1250	600	850	1145	480*530	360	400*450	4-Φ-27	Φ460	Φ410	12Φ-26	JG4-1
300/460-200/4	1300	650	920	1500	540*590	370	450*500	4-Φ-27	Φ460	Φ410	12-Φ26	JG4-1
300/425-160/4	1300	650	920	1500	540*590	370	450*500	4-Φ-27	Φ460	Φ410	12Φ-26	JG4-1
300/375-110/4	1300	650	920	1390	540*590	370	450*500	4-Φ-27	Φ460	Φ410	12-Φ26	JG4-1
300/355-90/4	1100	500	850	1155	540*590	370	450*500	4-Φ-27	Φ460	Φ410	12Φ-26	JG4-1
300/500-250/4	1400	700	1050	1745	540*590	370	450*500	4-Φ-32	Φ460	Φ410	12-Φ26	JG4-1
300/470-200/4	1400	700	920	1500	540*590	370	450*500	4-Φ-32	Φ460	Φ410	12Φ-26	JG4-1
300/440-160/4	1400	700	920	1500	540*590	370	450*500	4-Φ-32	Φ460	Φ410	12-Φ26	JG4-1
300/415-132/4	1400	700	920	1500	540*590	370	450*500	4-Φ-32	Φ460	Φ410	12Φ-26	JG4-1
300/480-280/4	1400	700	1050	1760	540*590	370	450*500	4-Φ-32	Φ460	Φ410	12-Φ26	JG4-1
300/435-220/4	1400	700	920	1730	540*590	370	450*500	4-Φ-32	Φ460	Φ410	12Φ-26	JG4-1
300/410-160/4	1300	650	920	1500	480*530	360	400*450	4-Φ-27	Φ460	Φ410	12-Φ26	JG4-1
350/320-90/4	1330	600	850	1170	480*530	435	400*450	4-Φ-27	Φ520	Φ470	12Φ-26	JG4-1
350/305-75/4	1330	600	850	1115	480*530	435	400*450	4-Φ-27	Φ520	Φ470	12-Φ26	JG4-1
350/380-55/6	1320	600	850	1170	480*530	445	400*450	4-Φ-27	Φ520	Φ470	12Φ-26	JG4-1
350/390-132/4	1320	600	920	1440	480*530	445	400*450	4-Φ-27	Φ520	Φ470	12-Φ26	JG4-1
350/360-110/4	1320	600	920	1440	480*530	445	400*450	4-Φ-27	Φ520	Φ470	12Φ-26	JG4-1
350/335-90/4	1320	600	850	1170	480*530	445	400*450	4-Φ-27	Φ520	Φ470	12-Φ26	JG4-1
350/420-160/4	1400	650	950	1430	480*530	435	450*500	4-Φ-27	Φ520	Φ470	12Φ-26	JG4-1
350/405-132/4	1320	600	920	1440	480*530	445	400*450	4-Φ-27	Φ520	Φ470	12-Φ26	JG4-1



350/380-110/4	1320	600	920	1440	480*530	445	400*450	4-Φ-27	Φ520	Φ470	12Φ-26	JG4-1
350/480-250/4	1400	650	1050	1625	540*590	435	450*500	4-Φ-32	Φ520	Φ470	12-Φ26	JG4-1
350/460-200/4	1400	650	920	1430	540*590	435	450*500	4-Φ-32	Φ520	Φ470	12Φ-26	JG4-1
350/430-160/4	1400	650	920	1430	540*590	435	450*500	4-Φ-32	Φ520	Φ470	12-Φ26	JG4-1
350/350-110/4	1330	600	920	1315	480*530	435	400*450	4-Φ-27	Φ520	Φ470	12Φ-26	JG4-1
350/330-75/4	1330	600	850	1115	480*530	435	400*450	4-Φ-27	Φ520	Φ470	12-Φ26	JG4-1
350/400-160/4	1320	600	920	1455	480*530	445	400*450	4-Φ-27	Φ520	Φ470	12Φ-26	JG4-1
350/370-132/4	1320	600	920	1440	480*530	445	400*450	4-Φ-27	Φ520	Φ470	12-Φ26	JG4-1
350/345-110/4	1320	600	920	1320	480*530	445	400*450	4-Φ-27	Φ520	Φ470	12Φ-26	JG4-1
350/500-250/4	1400	650	1050	1625	540*590	435	450*500	4-Φ-32	Φ520	Φ470	12-Φ26	JG4-1
350/470-200/4	1400	650	950	1435	540*590	435	450*500	4-Φ-32	Φ520	Φ470	12Φ-26	JG4-1
350/450-160/4	1400	650	950	1435	540*590	435	450*500	4-Φ-32	Φ520	Φ470	12Φ-26	JG4-1
350/425-132/4	1400	650	950	1435	540*590	435	450*500	4-Φ32	Φ520	Φ470	12-Φ26	JG4-1