

YW Series

NON-CLOGGED

Sump Sewage Pump



SHANGHAI ZHILI PUMP MFR CO.,LTD

Brief

It is one of the new generation sewage pump ,which designed base on international advanced technology,advanced in energy saving,high efficiency,wrapped proof,non clogged,auto installation and control,have excellent performance for medium contains particles and fibres.

Working Condition

1. Medium temperature can not exceed 60⁰C normally.
2. S.G:1.0-1.3kg/dm³
3. PH:5-9

Application

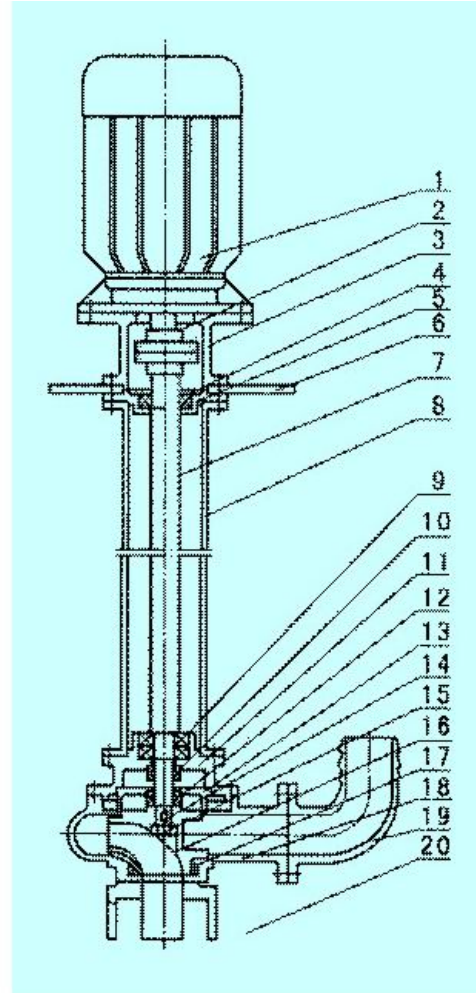
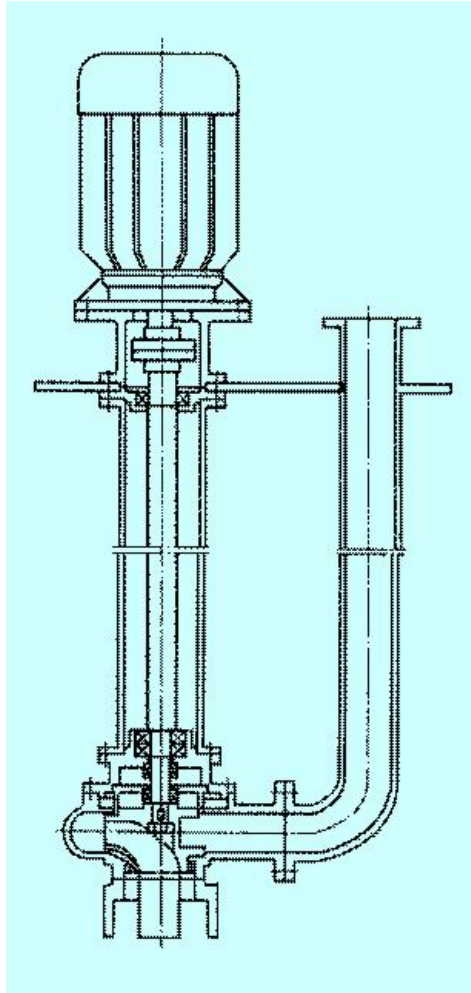
Mainly apply to delivery sewage water ,waster water and rain water contains solids and fibres:

- *municipal project
- *building construction
- *residential area
- *industrial sewage treatment
- *eviroment protect
- *mining

Features

1. Hydraulic design with wide flow-path non-clogged structure ,allowed fibres(3 times length of inlet diameter),particles(30% size of inlet diameter)
2. Excellent design,high efficiency and energy saving .
3. Double mechanical seals in series,made of hard alloy corrosive proof silicon carbide,which is durable and .wearable ,that enable pump safely operation for more than 8000 hours continous.
4. Compact structure, small volume, easy moved and conveniently mounted , no need build pump house, greatly reduct the cost.

Structure



NO.	Name	Material	NO.	Name	Material
1	Motor shell	FC20	11	Oil house	FC20
2	coupling	FC20	12	Down Mech seal	Sic/Sic
3	Motor stand	FC20	13	Rear cover-plate	FC20
4	Upper bearing	Hard alloy	14	Key	SS
5	Upper bearing seat	FC20	15	Impeller nut	SS
6	subplate	FC20	16	Impeller	FC20
7	shaft	C45 steel	17	Seal ring	FC20
8	Column pipe	FC20	18	Pump casing	FC20
9	Down bearing	Hard alloy	19	Discharge pipe	FC20
10	Upper mechanical seal	Sic/Sic	20	baseplate	FC20

Structure Description

1. Casing and Impeller

Semi open impeller,adopt CAD technology design combine with the latest hydraulic mould,wide flow path for sewage :impeller strickly under static and dynamic balance ,that reduce vibration and relong the life of bearing and mechanical seals.

2. Motor

Motor

TEFC air-cooled squirrel cage, 3 phase asynchronous motor.

Voltage: 220V,380V,400V,415V,440V,660V(other voltage ,pls inform before order)

Frequency: 50Hz,60Hz

Insulation : IP44/IP54/IP55

Protection class: B/F

Insulation modes: B5/V1

Notice: Special motor can be man made .

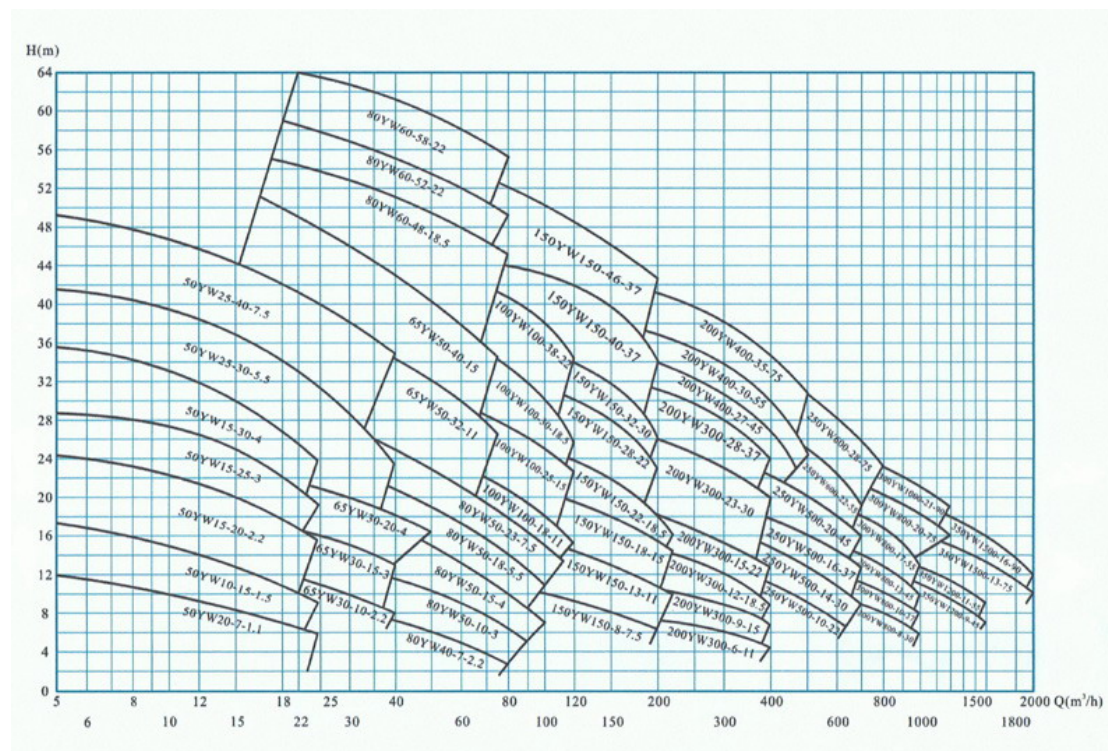
3. Mechanical Seal

Bergman brand,composed by oil proof NBR and wearable stainless steel spring ,can be continous operation at least for more than 8000 hours

4. Bearing

The upper bearing is deep groove ball bearings to bear the radial force ,the down bearings are angle ball bearings to bear both axial and radial force.

Its brand is C&U,which is most famous China brand ,NSK is available if required.



Main Performance Parameters

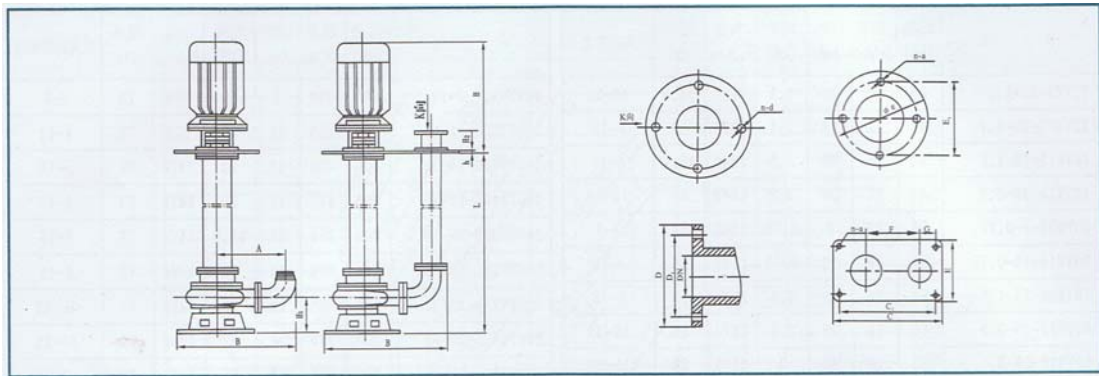
Model	Discharge (mm)	Flow (m ³ /h)	Head (m)	Speed (r/min)	Power (KW)	Efficiency (%)	Weight (Kg)
25-8-22-1.1	φ 25	8	22	2900	1.1	38	42
32-12-15-1.1	φ 32	12	15	2900	1.1	48	42
40-15-15-1.5	φ 40	15	15	2900	1.5	45	52
40-15-30-2.2	φ 40	15	30	2900	2.2	48	55
50-20-7-0.75	φ 50	20	7	2900	0.75	54	50
50-10-10-0.75	φ 50	10	10	2900	0.75	56	50
50-25-10-1.5	φ 50	25	10	2900	1.5	56	60
50-20-15-1.5	φ 50	20	15	2900	1.5	55	55
50-27-15-2.2	φ 50	27	15	2900	2.2	56	60
50-12-25-2.2	φ 50	15	25	2900	2.2	56	60
50-18-30-3	φ 50	18	30	2900	3	58	70
50-24-20-4	φ 50	24	20	2900	4	60	85
50-40-15-4	φ 50	40	15	2900	4	60	85
50-25-32-5.5	φ 50	25	32	2900	5.5	53	100
50-30-30-7.5	φ 50	30	30	2900	7.5	56	110
50-20-40-7.5	φ 50	20	40	2900	7.5	55	110
65-42-9-2.2	φ 65	42	9	2900	2.2	56	60
65-25-15-2.2	φ 65	25	15	2900	2.2	52	60
65-37-13-3	φ 65	37	13	2900	3	55	70
65-25-30-4	φ 65	25	30	2900	4	58	85
65-40-30-7.5	φ 65	40	30	2900	7.5	58	110
65-30-40-7.5	φ 65	30	40	2900	7.5	56	110
65-35-50-11	φ 65	35	50	2900	11	60	200
65-35-60-15	φ 65	35	60	2900	15	63	230
80-40-7-2.2	φ 80	40	7	1450	2.2	52	75
80-30-8-2.2	φ 80	30	8	1450	2.2	45	75
80-50-10-3	φ 80	50	10	2900	3	58	85
80-43-13-3	φ 80	43	13	2900	3	50	85
80-60-13-4	φ 80	60	13	2900	4	65	90
80-40-15-4	φ 80	40	15	2900	4	57	90
80-80-15-7.5	φ 80	80	15	2900	7.5	71	135
80-65-25-7.5	φ 80	65	25	2900	7.5	56	135
100-100-7-4	φ 100	100	7	1450	4	72.5	130
100-80-10-4	φ 100	80	10	1450	4	62	130
100-110-10-5.5	φ 100	110	10	1450	5.5	66	156
100-65-15-5.5	φ 100	65	15	1450	5.5	59	150
100-100-15-7.5	φ 100	100	15	1450	7.5	67	170
100-85-20-7.5	φ 100	85	20	1450	7.5	68	170

100-50-22-7.5	φ 100	50	22	1450	7.5	63	170
100-100-25-11	φ 100	100	25	1450	11	66	270
100-70-22-11	φ 100	70	22	1450	11	59	270
100-50-35-11	φ 100	50	35	1450	11	67	270
100-87-20-15	φ 100	87	28	1450	15	68	300
100-100-30-15	φ 100	100	30	1450	15	63	300
100-100-35-18.5	φ 100	100	35	1450	18.5	65	380
125-130-15-11	φ 125	130	15	1450	11	62	320
125-130-20-15	φ 125	130	20	1450	15	63	320
150-140-7-5.5	φ 150	140	7	1450	5.5	72	180
150-120-10-5.5	φ 150	120	10	1450	5.5	70	180
150-210-7-7.5	φ 150	210	7	1450	7.5	75	190
150-145-9-7.5	φ 150	145	9	1450	7.5	63	190
150-110-15-7.5	φ 150	110	15	1450	7.5	72	190
150-200-10-15	φ 150	200	10	1450	15	64	300
150-180-15-15	φ 150	180	15	1450	15	65	300
150-140-18-15	φ 150	140	18	1450	15	65	300
150-200-14-18.5	φ 150	200	14	1450	18.5	68	400
150-180-20-18.5	φ 150	180	20	1450	18.5	68	400
150-150-25-18.5	φ 150	150	25	1450	18.5	68	400
150-200-22-22	φ 150	200	22	1450	22	73	430
150-180-25-22	φ 150	180	25	1450	22	76	430
150-130-30-22	φ 150	130	30	1450	22	75	430
150-250-22-30	φ 150	250	22	1450	30	33	500
150-180-30-30	φ 150	180	30	1450	30	73	500
150-200-30-37	φ 150	200	30	1450	37	70	600
150-150-35-37	φ 150	200	35	1450	37	63	600
150-160-45-37	φ 150	160	45	1450	37	65	650
200-360-6-11	φ 200	360	6	1450	11	72	450
200-300-7-11	φ 200	300	7	1450	11	73	450
200-400-7-15	φ 200	400	7	1450	15	78	450
200-250-11-15	φ 200	250	11	1450	15	74	450
200-300-10-18.5	φ 200	300	10	1450	18.5	72	480
200-250-15-18.5	φ 200	250	15	1450	18.5	72	480
200-400-10-22	φ 200	400	10	1450	22	76	500
200-310-13-22	φ 200	310	13	1450	22	62	500
200-300-15-22	φ 200	300	15	1450	22	73	500
200-400-13-30	φ 200	400	13	1450	30	73	650
200-360-15-30	φ 200	360	15	1450	30	75	650
200-250-22-3	φ 200	250	22	1450	30	71	680
200-350-25-37	φ 200	350	25	1450	37	75	800
200-400-25-45	φ 200	400	25	1450	45	75	920
200-380-28-45	φ 200	380	28	1450	45	70	920

200-250-35-45	φ 200	250	35	1450	45	69	920
200-400-30-55	φ 200	400	30	1450	55	70	1000
200-250-40-55	φ 200	250	40	1450	55	69	1000
200-350-40-75	φ 200	350	40	1450	75	68	1050
250-600-90-30	φ 250	600	9	980	30	74	850
250-500-10-30	φ 250	500	10	980	30	71	850
250-700-10-37	φ 250	700	10	1450	37	81	850
250-600-12-37	φ 250	600	12	1450	37	78	850
250-600-9-30	φ 250	600	9	980	30	74	850
250-500-10-30	φ 250	500	10	980	30	71	850
250-700-10-37	φ 250	700	10	1450	37	81	850
250-600-12-37	φ 250	600	12	1450	37	78	850
250-600-15-45	φ 250	600	15	1450	75	75	950
250-600-20-55	φ 250	600	20	1450	73	73	1300
250-700-20-75	φ 250	700	20	1450	78	78	1500
250-600-25-75	φ 250	600	25	1450	73	73	1500
250-600-30-90	φ 250	600	30	1450	72	72	1600
300-900-8-37	φ 300	900	8	980	37	81	1380
300-800-12-45	φ 300	800	12	980	45	76	1500
300-500-15-45	φ 300	500	15	980	45	70	1500
300-800-15-55	φ 300	800	15	980	55	73	1550
300-600-20-55	φ 300	600	20	980	55	75	1550
300-800-20-75	φ 300	800	20	980	75	78	1600
300-950-20-90	φ 300	950	20	980	90	80	1700
300-1000-25-110	φ 300	1000	25	1450	110	82	2000
300-800-32-110	φ 300	800	32	1450	110	76	2000
300-800-36-132	φ 300	800	36	1450	110	76	2000
350-1200-8-45	φ 350	1200	8	980	45	84	1350
350-1100-10-55	φ 350	1100	10	980	45	84	1380
350-1300-12-75	φ 350	1300	12	980	75	83	1450
350-1500-15-90	φ 350	1500	15	980	90	82	2000
350-1200-18-90	φ 350	1200	18	980	90	83	2000
350-1100-28-132	φ 350	1100	28	980	132	83	2520
350-1100-36-160	φ 350	1000	36	980	160	78.5	2880
400-1760-7.5-55	φ 400	1760	7.5	580	55	82.3	2000
400-1300-10-55	φ 400	1300	10	580	55	82	2000
400-2600-6-75	φ 400	2600	6	740	75	78	1750
400-1500-10-75	φ 400	1500	10	980	75	82.1	1750
400-2200-9-110	φ 400	2200	9	980	110	80	2100
400-2000-15-132	φ 400	2000	15	740	132	85.5	2520
400-1600-20-132	φ 400	1600	20	740	132	82	2520
400-1700-22-160	φ 400	1700	22	980	160	82	2880
400-1500-26-160	φ 400	1500	26	980	160	83.5	2880

400-2000-22-200	φ 400	2000	22	980	200	82	3150
400-1700-30-200	φ 400	1700	30	980	200	83.5	3150
400-1800-32-250	φ 400	1800	32	740	250	82	3250
400-2000-30-280	φ 400	2000	30	740	280	83.5	3250
500-2500-10-110	φ 500	2500	10	740	110	82	2100
500-2000-15-110	φ 500	2000	15	740	110	83	2100
500-2800-10-132	φ 500	2800	10	740	132	82	2250
500-3600-10-160	φ 500	3600	10	740	160	83	2280
500-2600-15-160	φ 500	2600	15	740	160	83	2280
500-2000-20-160	φ 500	2000	20	740	160	82	2280
500-300-15-200	φ 500	3000	15	740	200	82	2280
500-250-20-200	φ 500	2500	20	740	200	78	2280
500-2800-18-220	φ 500	2800	18	740	220	83	2350
500-2400-22-220	φ 500	2400	22	740	220	84	2350
500-4000-15-250	φ 500	4000	15	980	250	84	2650
500-2600-24-250	φ 500	2600	24	980	250	82	2650

Dimension



Model	D	D1	DN	n-d	B	H1	L	h	H2	H	A	C*E	C1*E1	F	G	n-a	Φe	Φe1
25YW8-22-1.1	120	90	25	4-Φ14	310	115	1-5	16	70	360	190	600*320	550*270	190	85	4-Φ14	300	265
32YW12-15-1.1	120	90	32	4-Φ14	310	115	1-5	16	70	360	190	600*320	550*270	190	85	4-Φ14	300	265
40YW15-15-1.1	130	100	40	4-Φ14	360	125	1-5	18	80	370	215	600*320	550*270	215	60	4-Φ14	300	265
40YW15-30-2.2	130	100	40	4-Φ14	360	125	1-5	18	80	400	215	600*320	550*270	215	60	4-Φ14	300	265
50YW20-7-0.75	140	110	50	4-Φ14	405	125	1-5	18	80	360	255	600*320	550*270	255	65	4-Φ14	300	265
50YW10-10-0.75	140	110	50	4-Φ14	405	125	1-5	18	80	360	255	600*320	550*270	255	65	4-Φ14	300	265
50YW20-15-1.5	140	110	50	4-Φ14	405	120	1-5	18	80	370	255	600*320	550*270	255	65	4-Φ14	300	265
50YW15-25-2.2	140	110	50	4-Φ14	405	120	1-5	18	80	400	255	600*320	550*270	255	65	4-Φ14	300	265
50YW18-30-3	140	110	50	4-Φ14	405	125	1-5	18	80	440	255	600*320	550*270	255	65	4-Φ14	300	265
50YW25-32-5.5	140	110	50	4-Φ14	450	160	1-5	20	80	540	265	600*320	550*270	265	55	4-Φ14	350	300
50YW20-40-7.5	140	110	50	4-Φ14	450	160	1-5	20	80	570	265	600*320	550*270	265	55	4-Φ14	350	300
65YW25-15-2.2	160	130	65	4-Φ14	440	130	1-5	18	80	400	280	600*320	550*270	280	70	4-Φ14	300	265
65YW37-13-3	160	130	65	4-Φ14	440	130	1-5	18	80	440	280	600*320	550*270	280	70	4-Φ14	300	265
65YW25-30-4	160	130	65	4-Φ14	440	130	1-5	18	80	470	280	600*320	550*270	280	70	4-Φ14	300	265
65YW30-40-7.5	160	130	65	4-Φ14	450	160	1-5	20	80	570	280	600*320	550*270	265	55	4-Φ14	350	300
65YW35-50-11	160	130	65	4-Φ14	450	210	1-5	22	100	700	300	720*380	660*320	300	65	4-Φ14	450	400
65YW35-60-15	160	130	65	4-Φ14	450	210	1-5	22	100	740	300	720*380	660*320	300	65	4-Φ14	450	400
80YW40-7-2.2	190	150	80	4-Φ18	530	170	1-5	22	100	400	325	650*350	600*300	325	75	4-Φ18	300	265
80YW43-13-3	190	150	80	4-Φ18	530	160	1-5	22	100	440	325	650*350	600*300	325	75	4-Φ18	300	265
80YW40-15-4	190	150	80	4-Φ18	530	160	1-5	22	100	470	325	650*350	600*300	325	75	4-Φ18	300	265
80YW65-25-7.5	190	150	80	4-Φ18	530	170	1-5	22	100	570	325	650*350	600*300	325	75	4-Φ18	350	300
100YW80-10-4	210	170	100	4-Φ18	630	180	1-7	22	100	470	385	720*380	660*320	385	55	4-Φ18	300	265
100YW110-10-5.5	210	170	100	4-Φ18	630	190	1-7	22	100	540	385	720*380	660*320	385	55	4-Φ18	350	300
100YW100-15-7.5	210	170	100	4-Φ18	630	190	1-7	22	100	570	385	720*380	660*320	385	55	4-Φ18	350	300
100YW85-20-7.5	210	170	100	4-Φ18	630	190	1-7	22	100	570	385	720*380	660*320	385	55	4-Φ18	350	300
100YW100-25-11	210	170	100	4-Φ18	700	200	1-7	18	100	700	430	800*380	720*320	430	50	4-Φ18	450	400
100YW100-30-15	210	170	100	4-Φ18	770	220	1-7	18	100	740	475	900*400	820*320	475	135	8-Φ18	450	400
100YW100-35-18.5	210	170	100	4-Φ18	770	220	1-7	18	100	760	475	900*400	820*320	475	135	8-Φ18	600	500
125YW130-15-11	240	200	125	8-Φ18	750	210	1-7	20	140	700	470	100*600	920*520	470	145	4-Φ23	450	400
125YW130-20-15	240	200	125	8-Φ18	750	210	1-7	20	140	740	470	100*600	920*520	470	145	4-Φ23	450	400
150YW145-9-7.5	265	225	160	8-Φ18	840	220	1-7	20	140	570	520	100*600	920*520	520	130	4-Φ23	350	300
150YW180-15-15	265	225	160	8-Φ18	840	220	1-7	20	140	740	520	100*600	920*520	520	130	4-Φ23	600	500
150YW180-20-18.5	265	225	150	8-Φ18	840	220	1-7	20	140	760	520	100*600	920*520	520	130	4-Φ23	600	500
150YW180-25-22	265	225	150	8-Φ18	840	220	1-7	20	140	800	520	100*600	920*520	520	130	4-Φ23	600	500
150YW130-30-22	265	225	150	8-Φ18	840	220	1-7	20	140	800	520	100*600	920*520	520	130	4-Φ23	600	500
150YW180-30-30	265	225	150	8-Φ18	870	275	1-7	20	140	860	550	100*600	920*520	550	160	4-Φ23	600	500
150YW200-30-37	265	225	150	8-Φ18	870	275	1-7	20	140	950	550	100*600	920*520	550	160	4-Φ23	600	500
200YW300-7-11	335	295	200	8-Φ23	1000	270	1-7	20	200	700	630	1300*750	1220*680	630	140	4-Φ23	600	500
200YW250-11-15	335	295	200	8-Φ23	1000	270	1-7	20	200	740	630	1300*750	1220*680	630	140	4-Φ23	600	500
200YW400-10-22	335	295	200	8-Φ23	1000	270	1-7	20	200	800	630	1300*750	1220*680	630	140	4-Φ23	600	500
200YW400-13-30	335	295	200	8-Φ23	1000	270	1-7	20	200	860	630	1300*750	1220*680	630	140	4-Φ23	600	500
200YW250-15-18.5	335	295	200	8-Φ23	1000	270	1-7	20	200	760	630	1300*750	1220*680	630	140	4-Φ23	600	500

200YW300-15-22	335	295	200	8-Φ23	1000	270	1-7	20	200	800	630	1300*750	1220*680	630	140	4-Φ23	600	500
200YW250-22-30	335	295	200	8-Φ23	1000	270	1-7	20	200	860	630	1300*750	1220*680	630	140	4-Φ23	600	500
200YW350-25-37	335	295	200	8-Φ23	1000	270	1-7	20	200	950	630	1300*750	1220*680	630	140	4-Φ23	600	500
200YW400-30-55	335	295	200	8-Φ23	1050	280	1-7	22	200	950	650	1300*750	1220*680	650	140	4-Φ23	600	500
250YW600-9-30	390	350	250	12-Φ18	1100	320	1-7	25	250	850	650	1300*750	1220*680	650	250	6-Φ20	750	680
250YW600-12-37	390	350	250	12-Φ18	1100	320	1-7	25	250	950	650	1300*750	1220*680	650	250	6-Φ20	750	680
250YW600-15-45	390	350	250	12-Φ18	1100	320	1-7	25	250	1010	650	1300*750	1220*680	650	250	6-Φ20	750	680
250YW600-20-55	390	350	250	12-Φ18	1100	320	1-7	25	250	1250	650	1300*750	1220*680	650	250	6-Φ20	750	680
250YW600-25-75	390	350	250	12-Φ18	1100	320	1-7	25	250	1310	650	1300*750	1220*680	650	250	6-Φ20	750	680
300YW800-12-45	440	395	300	12-Φ23	1200	400	1-7	28	250	1200	800	1400*750	1300*680	800	320	6-Φ20	750	680
300YW500-15-45	440	395	300	12-Φ23	1200	400	1-7	28	250	1200	800	1400*750	1300*680	800	320	6-Φ20	750	680
300YW800-15-55	440	395	300	12-Φ23	1200	400	1-7	28	250	1250	800	1400*750	1300*680	800	320	6-Φ20	750	680
300YW600-20-55	440	395	300	12-Φ23	1200	400	1-7	28	250	1250	800	1400*750	1300*680	800	320	6-Φ20	750	680
300YW800-20-75	440	395	300	12-Φ23	1200	400	1-7	28	250	1350	800	1400*750	1300*680	800	320	6-Φ20	750	680
300YW950-20-90	440	395	300	12-Φ23	1200	400	1-7	28	250	1420	800	1400*750	1300*680	800	320	6-Φ20	750	680
300YW1000-25-110	440	395	300	12-Φ23	1200	400	1-7	28	250	1560	800	1400*750	1300*680	800	320	6-Φ20	750	680
350YW1100-10-55	500	460	350	12-Φ23	1350	450	1-7	28	250	1300	950	1500*750	1400*680	950	400	6-Φ20	750	680
350YW1500-15-90	500	460	350	12-Φ23	1350	450	1-7	30	250	1450	950	1500*750	1400*680	950	400	6-Φ20	750	680
350YW1200-18-90	500	460	350	12-Φ23	1350	450	1-7	30	250	1450	950	1500*750	1400*680	950	400	6-Φ20	750	680
350YW1100-28-132	500	460	350	12-Φ23	1350	450	1-7	30	250	1600	950	1500*750	1400*680	950	400	6-Φ20	750	680
350YW1000-36-160	500	460	350	12-Φ23	1350	450	1-7	30	250	1600	950	1500*750	1400*680	950	400	6-Φ20	750	680
400YW1500-10-75	560	515	400	16-Φ26	1480	510	1-7	30	250	1400	950	2000*850	1900*780	950	400	6-Φ20	750	680
400YW2000-15-132	560	515	400	16-Φ26	1480	510	1-7	30	250	1600	950	2000*850	1900*780	950	400	6-Φ20	750	680
400YW1700-22-160	560	515	400	16-Φ26	1480	510	1-7	30	250	1620	950	2000*850	1900*780	950	400	6-Φ20	750	680
400YW1500-26-160	560	515	400	16-Φ26	1480	510	1-7	30	250	1630	950	2000*850	1900*780	950	400	6-Φ20	750	680
400YW1700-30-200	560	515	400	16-Φ26	1480	510	1-7	30	250	1750	950	2000*850	1900*780	950	400	6-Φ20	750	680
400YW1800-32-250	560	515	400	16-Φ26	1480	510	1-7	30	250	1860	950	2000*850	1900*780	950	400	6-Φ20	750	680
500YW2500-10-110	670	620	500	20-Φ26	2010	580	1-7	30	250	1600	1200	2200*950	2100*850	1200	300	6-Φ20	900	800
500YW2600-15-160	670	620	500	20-Φ26	2010	580	1-7	30	250	1620	1200	2200*950	2100*850	1200	300	6-Φ20	900	800
500YW2400-22-220	670	620	500	20-Φ26	2010	580	1-7	30	250	1750	1200	2200*950	2100*850	1200	300	6-Φ20	900	800
500YW2600-24-250	670	620	500	20-Φ26	2010	580	1-7	30	250	1860	1200	2200*950	2100*850	1200	300	6-Φ20	900	800